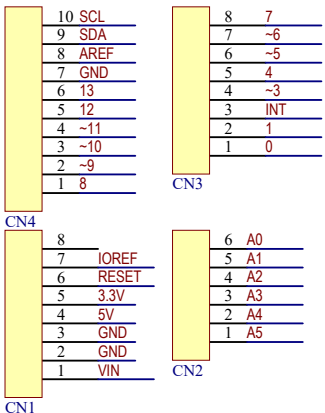
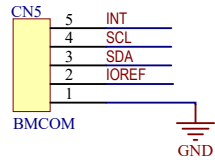


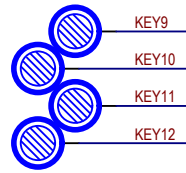
BMduino-Shield



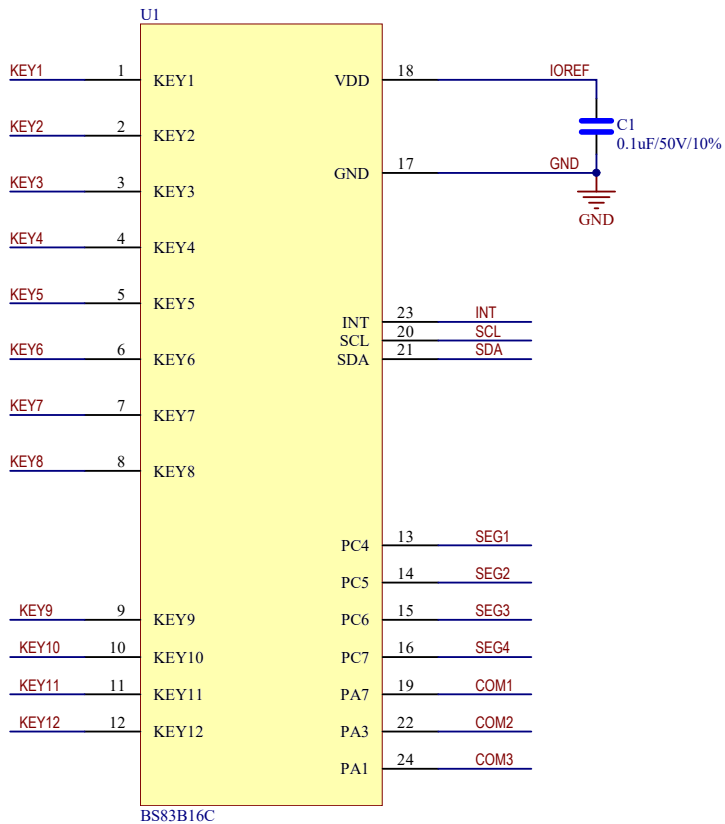
BMCOM



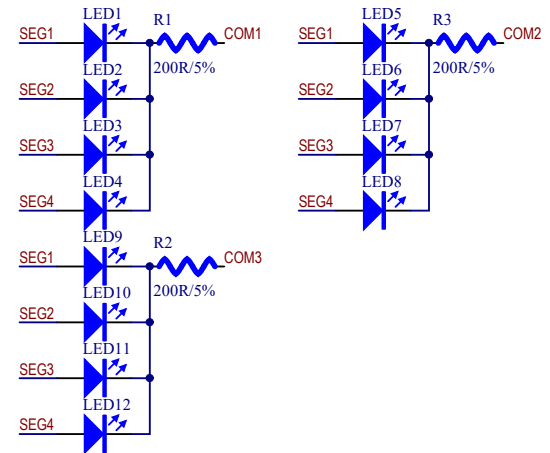
Touch Keys



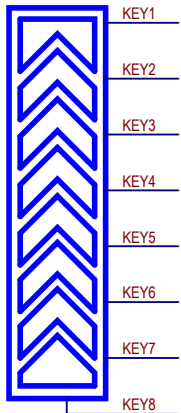
MCU



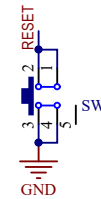
LED Indicator



Touch Slider



Reset Circuit



Title:	BMK54T004
Design by:	BESTMOUDLES TEAM
Data:	2023/4/20
Rev:	V1.0

