

1

2

3

4

A

A

B

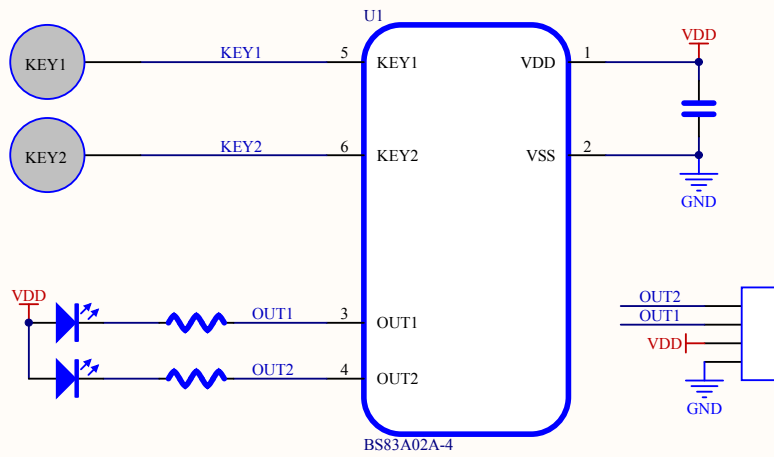
B

C

C

D

D



Title			BMS00010		
Size	Number			Revision	V100
A4					
Date:	2017/8/1	Sheet	of		
File:	F:\BSI_PRJ\BMS00010_V100.SchDoc	Drawn By:			

1

2

3

4