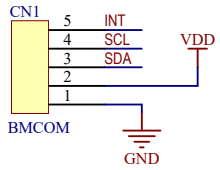
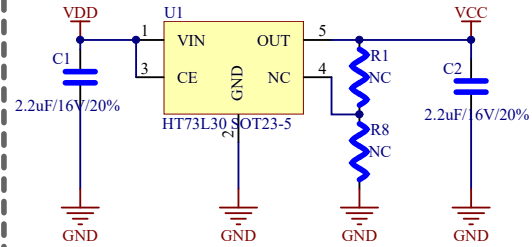


BMCOM

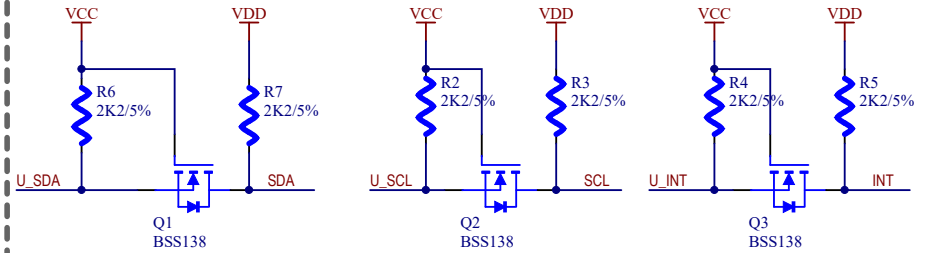


Power Circuit

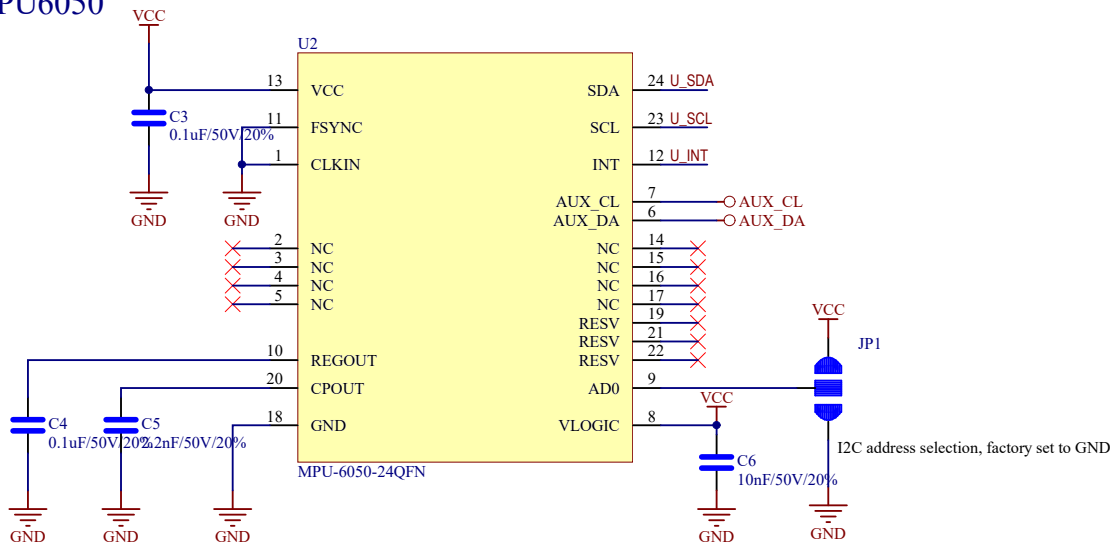


When LDO MIC5225 is used, $VCC=1.24*(1+R1/R8)$

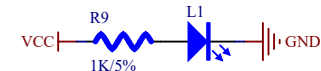
Level Shift



MPU6050



LED Indicator



| | |
|------------|------------------|
| Title: | BMS56M605 |
| Design by: | BESTMOUDLES TEAM |
| Data: | 2023/4/27 |
| Rev: | V1.0 |

