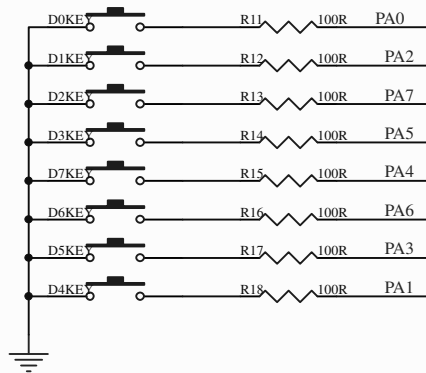
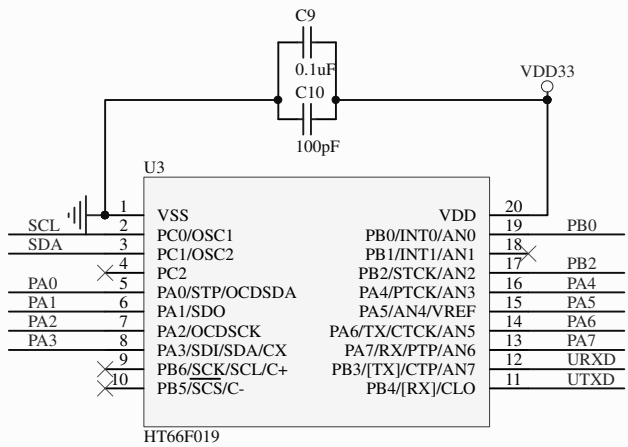
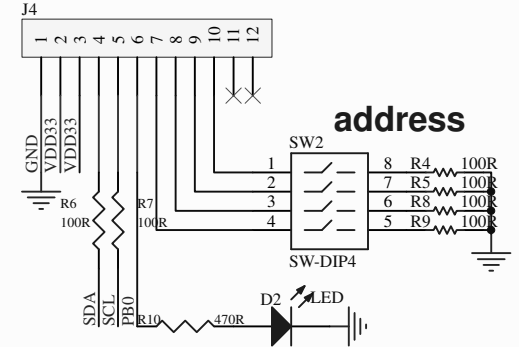


Module Connector



Title		
BC2161/BC5161 emulation board (BCE-x1xx-001)		
Size	Number	Revision
A4		
Date:	2022/4/29	Sheet of
File:	C:_Work\A_BCE-EFUSEK8-001_20190129_Sch.Dwg	20