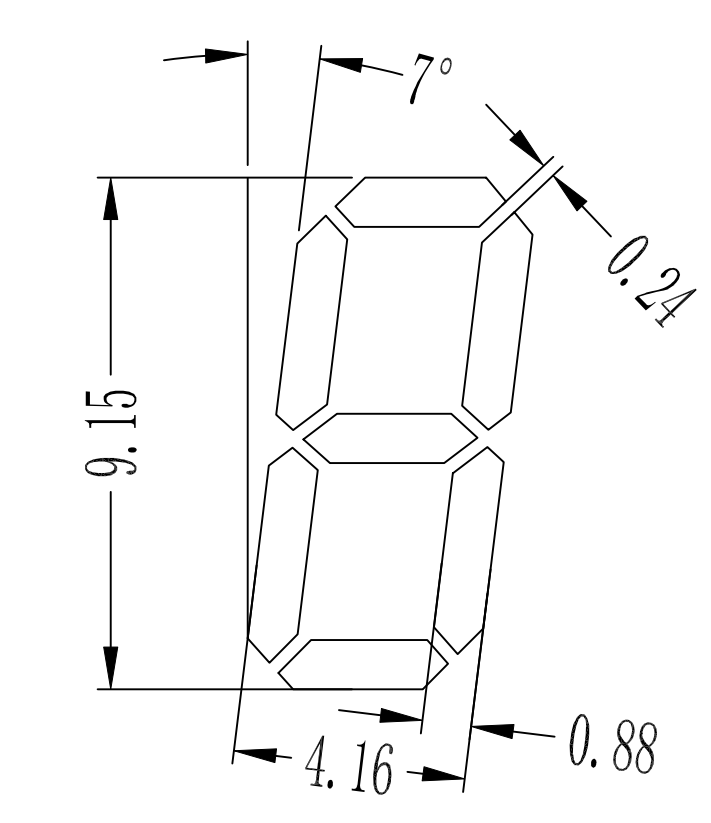
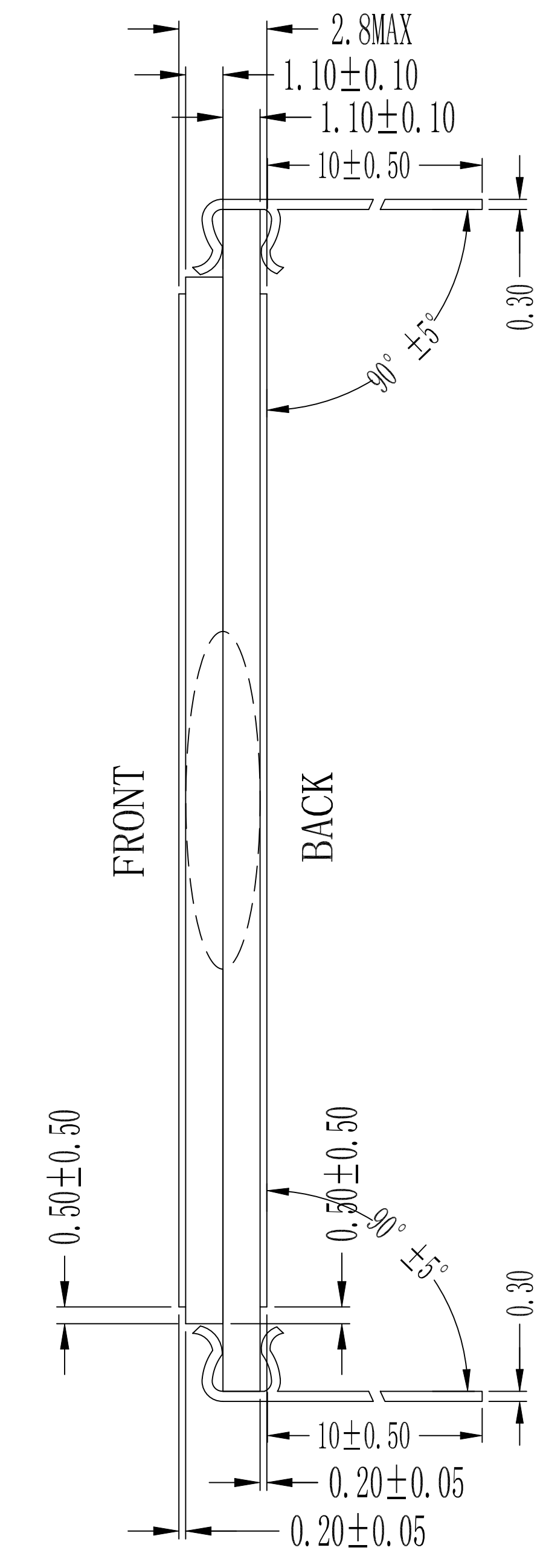
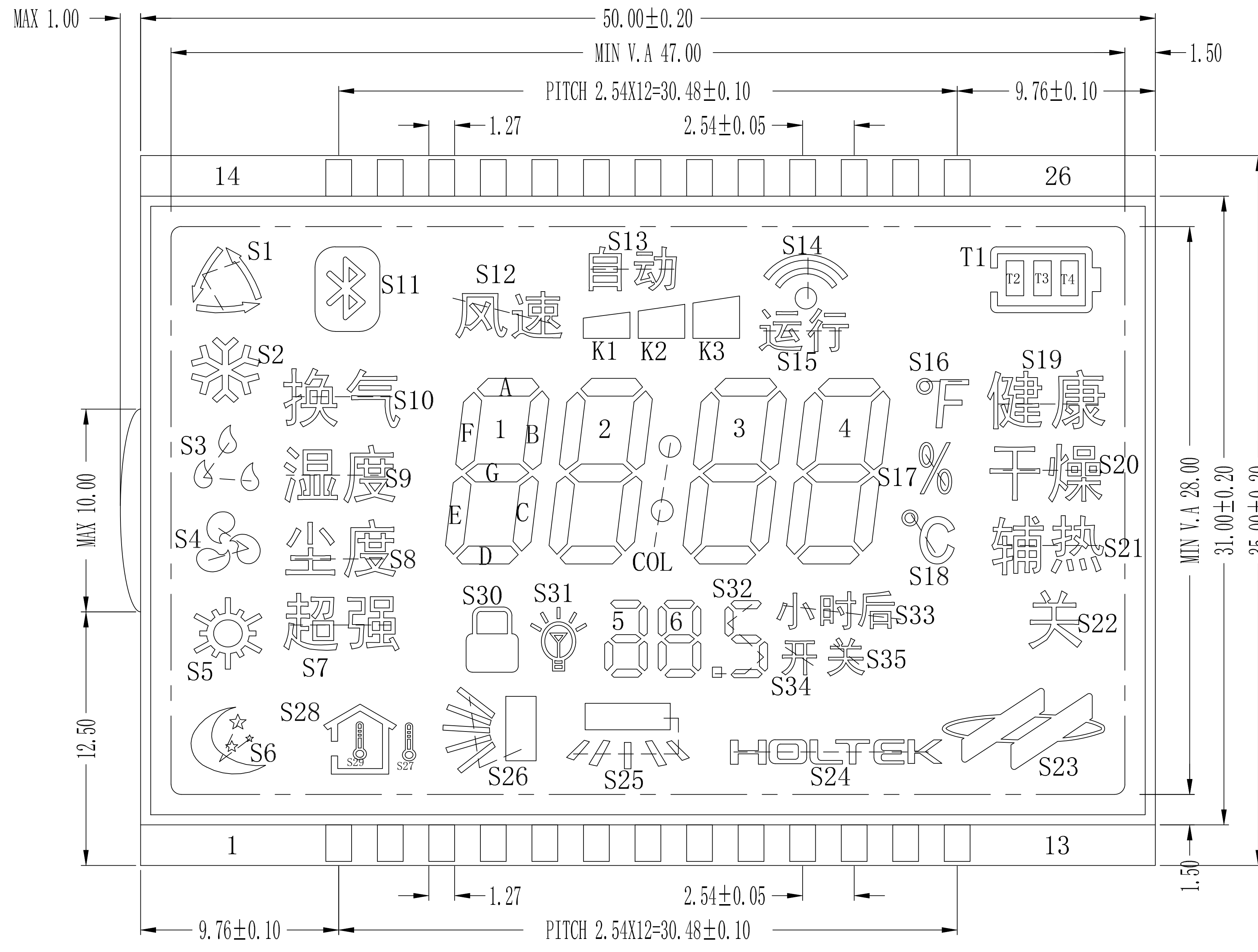


REVISIONS

NO:	MODIFY CONTENT	DRAWN BY	DATE
1	按客户要求改逻辑表	LWT	2020.07.02



SPECIFICATION:

- DISPLAY TYPE:
TN, POSITIVE
- VIEWING ANGLE:
12H
- DRIVING VOLTAGE:
2.9V
- DRIVE METHOD:
1/4DUTY, 1/3BIAS
- FRONT POLARIZER:
TRANSMISSIVE
- BACK POLARIZER:
REFLECTIVE
- OPERATING TEMP:
0~50° C
- STORAGE TEMP:
-10~60° C
- CONNECTORS:
Zebra
- SCREEN PRINTING:
WITHOUT
- CUSTOMER P/N:
0624-2

PIN	1	2	3	4	5	6	7	8	9	10	11	12	13	14	15	16	17	18	19	20	21	22	23	24	25	26
COM1	COM1				S28	S29	S11	S9		5A	S32	6A	S34	S13		1A		2A	COL	3A	K1	4A	S33	K2	T2	S22
COM2		COM2			S27	S6	S1	S8	S31	5B	6F	6B	S35	S12	1F	1B	2F	2B	3F	3B	4F	4B	S18	K3	T3	S21
COM3			COM3		S26	S5	S2	S7	5G	5C	6G	6C	S24	S10	1G	1C	2G	2C	3G	3C	4G	4C	S17	S14	T4	S20
COM4				COM4	S25	S4	S3	S30	5E	5D	6E	6D	S23		1E	1D	2E	2D	3E	3D	4E	4D	S16	S15	T1	S19

客户确认所有图纸签字:

深圳市丰宏成实业有限公司			
MODEL	FHC82342	VER	A
		TITLE	L C D
FACTORY: SHENZHEN, CHINA	DRAWN BY	WYQ	2020.07.01
	CHECKED BY	LCJ	2020.07.01
TEL: 13798563293	CHECKED BY		
FAX: 0755-86181144	APPROVED BY		
		SCALE	
		UNIT	
		UNMARKED TOLERANCE	
			⊕