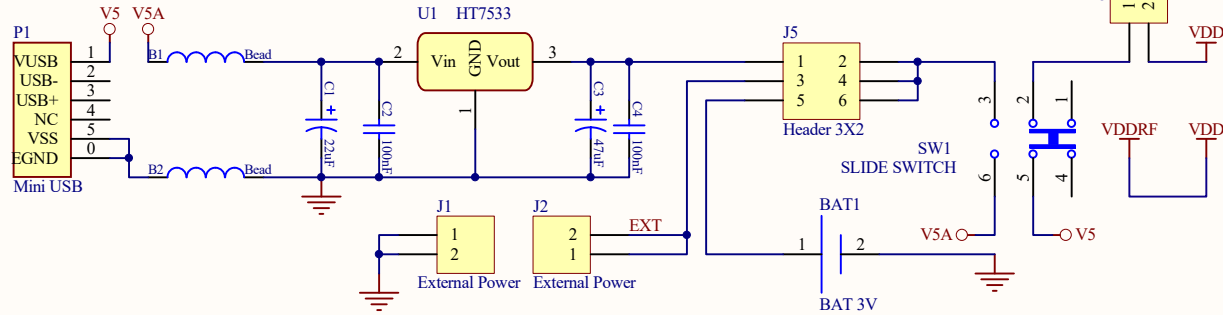
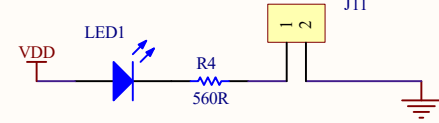


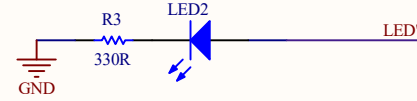
**Power**



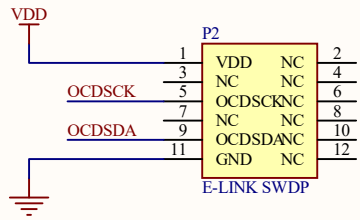
**Power LED**



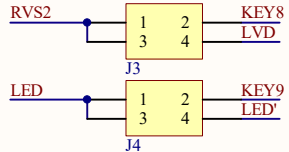
**TX LED**



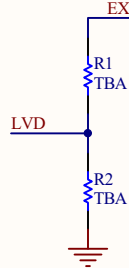
**E-link**



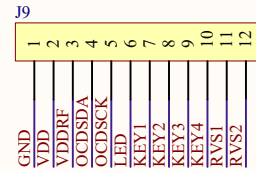
**Function switch**



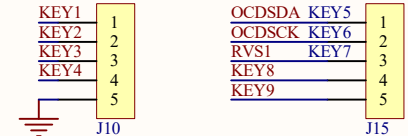
**EXT LVD Test**



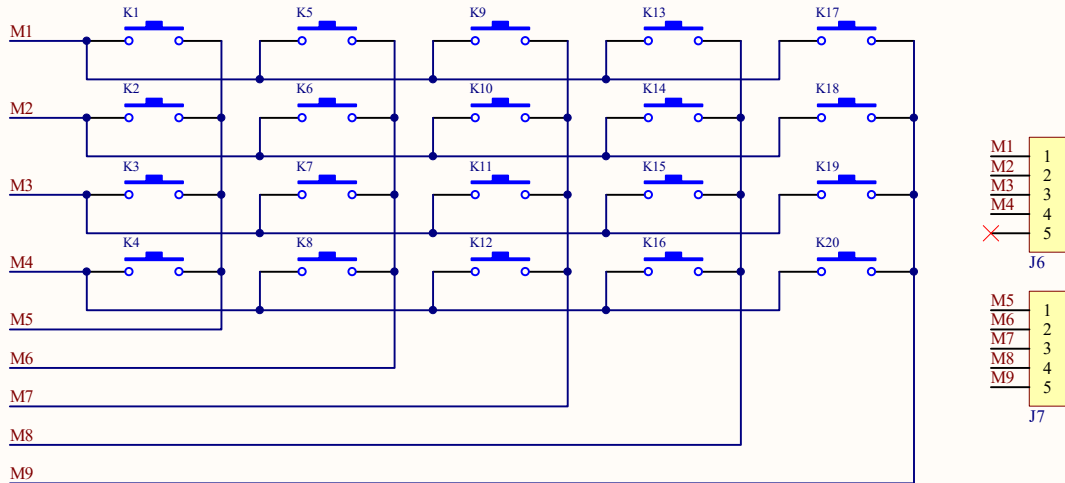
**Module**



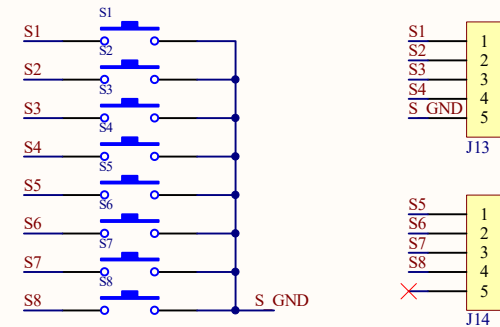
**Key socket**



**Matrix**



**Direct**



Title		
Size	Number	Revision
A4		
Date:	2023/3/17	Sheet of
File:	\\.\BCE-GENTX-001_20210421.SchDoc	Drawn By: