

### Features

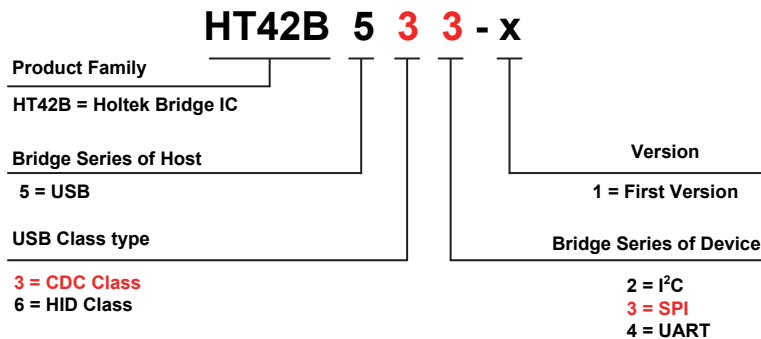
- Operating Voltage ( $V_{DD}$ ): 3.3V~5.5V
- SPI pins Voltage ( $V_{DDIO}$ ): 1.8V~ $V_{DD}$  (Less than  $V_{DD}$  voltage)
- Fully integrated internal 12MHz oscillator with 0.25% accuracy for all USB modes which requires no external components
- USB interface
  - USB 2.0 Full Speed compatible
  - Implements USB protocol composite device:
    - Communication Device Class (CDC) for communications and configuration.
    - Human Interface Device (HID) for user configure USB VID, PID and device description strings
  - Integrated an internal 1.5k $\Omega$  pull-high resistor on D+ pin
- Serial Interface – SPI
  - Supports clock rate up to 8MHz
  - Supports Master and Slave modes decided by AP command
  - Supports maximum 128 bytes transmit buffer and 128 bytes receive buffer
  - Supports SDI (Master mode) /  $\overline{SCS}$  (Slave mode) pin resume signal to request a remote wake-up
  - Supports VDDIO pin for SPI pins power supply

- Support standard Windows® drivers for Virtual Com Port (VCP): Windows XP (SP2), Vista, Windows 7, Windows 8, Windows 8.1 (only an INF file is required) and Windows 10.
- Support Android 4.0 or later version and Mac OS X
- Integrated 256 bytes internal true EEPROM for user memory
- Power down and wake-up functions to reduce power consumption
- Package types: 10-pin MSOP, 16-pin NSOP

### General Description

The HT42B533-x is a high performance USB to SPI bridge controller with fully integrated USB and SPI interface functions, designed for applications that communicate with various types of SPI. The device includes a USB 2.0 full speed compatible interface which is used for PC communication. The device also includes a fully integrated high speed oscillator which is used for USB and SPI clock generator.

### USB Bridge IC Naming Rules

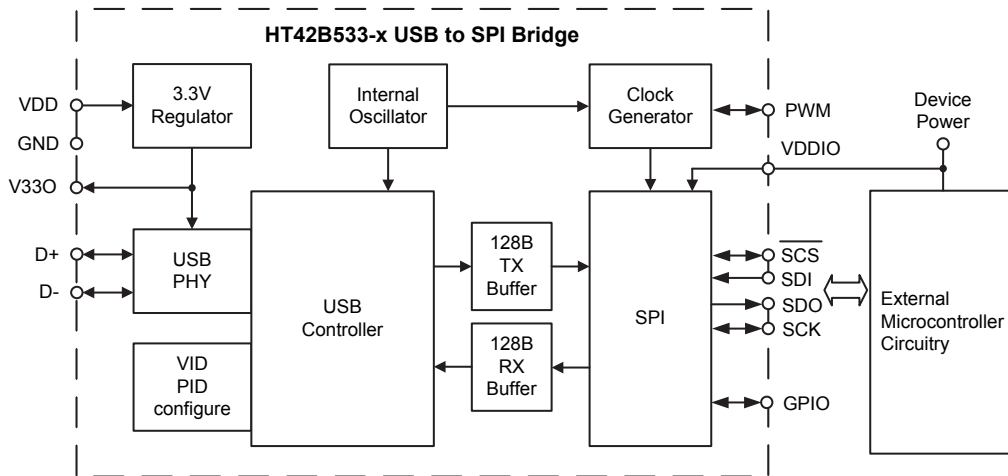


## Selection Table

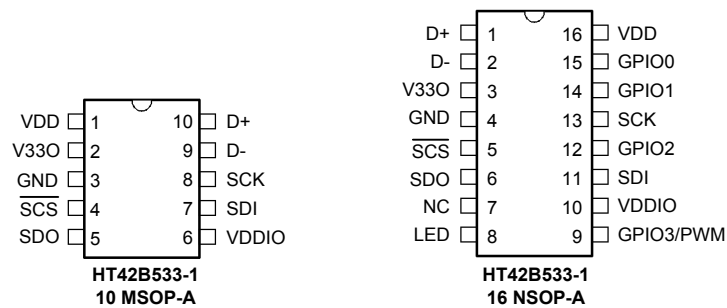
Most features are common to all devices. The following table summarises the main features of each device.

Part No.	Description	V <sub>DD</sub>	USB	Virtual COM	HID	FIFO/Buffer	Interface Data Rate	I/O V <sub>DD</sub>	Package
HT42B532-x	USB to I <sup>2</sup> C Bridge	3.3V~5.5V	Full-Speed	√	-	TX: 62 bytes RX: 62 bytes	Up to 400kHz	√	8SOP, 10MSOP
HT42B533-x	USB to SPI Bridge			√	-	TX: 128 bytes RX: 128 bytes	Up to 8MHz	√	10MSOP, 16NSOP
HT42B534-x	USB to UART Bridge			√	-	TX: 128 bytes RX: 128 bytes	Up to 3Mbps Baud	√	8/10SOP, 10MSOP, 16NSOP
HT42B564-x	USB (HID) to UART Bridge			-	√	TX: 32 bytes RX: 32 bytes	Up to 115.2kbps Baud	√	10SOP

## Block Diagram



## Pin Assignment



Package type	Marking
10MSOP	B533-x
16NSOP	HT42B533-x

Note: x=1 for version number.

## Pin Descriptions

As the Pin Description table applies to the package type with the most pins, not all of the listed pins may be present on package types with smaller numbers of pins.

Pin Name	Type	Description
D+	I/O	USB D+ Line
D-	I/O	USB D- Line
SCS	I/O	SPI slave select
SDO	O	SPI data output
SDI	I	SPI data input
SCK	I/O	SPI serial clock
LED	O	Data transfer signal LED indication, active low
PWM	O	Pulse Width Modulator output (Only for 16NSOP package)
GPIO0~3	I/O	GPIO
V330	O	3.3V Regulator output
VDDIO	PWR	Positive power supply for SCS, SDO, SDI, SCK pins
VDD	PWR	Positive power supply, USB bus power
GND	PWR	Negative power supply, ground

## Absolute Maximum Ratings

Supply Voltage .....	$V_{SS}-0.3V$ to $V_{SS}+6.0V$	$I_{OH}$ Total .....	-80mA
Input Voltage .....	$V_{SS}-0.3V$ to $V_{SS}+0.3V$	$I_{OL}$ Total .....	80mA
Storage Temperature .....	-50°C to 125°C	Total Power Dissipation .....	500mW
Operating Temperature .....	-40°C to 85°C		

Note: These are stress ratings only. Stresses exceeding the range specified under "Absolute Maximum Ratings" may cause substantial damage to this device. Functional operation of these devices at other conditions beyond those listed in the specification is not implied and prolonged exposure to extreme conditions may affect device reliability.

## D.C. Characteristics

Ta=25°C

Symbol	Parameter	Test Conditions		Min.	Typ.	Max.	Unit
		V <sub>DD</sub>	Conditions				
V <sub>DD</sub>	Operating Voltage	—	—	3.3	—	5.5	V
V <sub>DDIO</sub>	VDDIO Input Voltage for SPI Pins	—	—	1.8	—	V <sub>DD</sub>	V
I <sub>DD</sub>	Operating Current	5V	No load	—	11	16	mA
I <sub>SUS</sub>	Suspend Current (USB)	5V	Suspend mode, No load, USB on, other peripherals off	—	360	450	μA
V <sub>IL</sub>	Input Low Voltage for Input Pins	—	—	0	—	0.2V <sub>DDIO</sub>	V
V <sub>IH</sub>	Input High Voltage for Input Pins	—	—	0.8V <sub>DDIO</sub>	—	V <sub>DDIO</sub>	V
I <sub>OL</sub>	Sink Current for I/O Pins	3V	V <sub>OL</sub> = 0.1V <sub>DDIO</sub>	4	8	—	mA
		5V		10	20	—	mA
I <sub>OH</sub>	Source Current for I/O Pins	3V	V <sub>OH</sub> = 0.9V <sub>DDIO</sub>	-2	-4	—	mA
		5V		-5	-10	—	mA
R <sub>PH</sub>	Pull-high Resistance for I/O Ports	3V	—	20	60	100	kΩ
		5V	—	10	30	50	kΩ

Symbol	Parameter	Test Conditions		Min.	Typ.	Max.	Unit
		V <sub>DD</sub>	Conditions				
I <sub>LEAK</sub>	Input Leakage Current	3V	V <sub>IN</sub> = V <sub>DD</sub> or V <sub>IN</sub> = V <sub>SS</sub>	—	—	±1	μA
		5V		—	—	±1	μA
V <sub>V330</sub>	3.3V Regulator Output Voltage	5V	I <sub>V330</sub> = 70mA	3.0	3.3	3.6	V
R <sub>UDP1</sub>	Pull-high Resistance between D+ and V330	3.3V	—	-5%	1.5	+5%	kΩ

## A.C. Characteristics

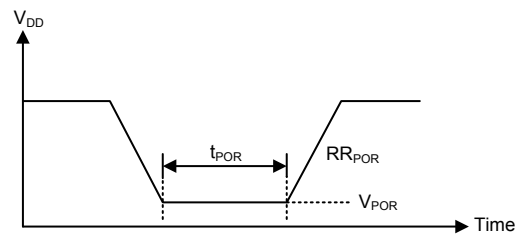
Ta=25°C

Symbol	Parameter	Test Condition		Min.	Typ.	Max.	Unit
		V <sub>DD</sub>	Condition				
f <sub>HIRC</sub>	High Speed Internal RC Oscillator	3.3V~5.5V	USB mode	-0.25%	12	+0.25%	MHz
t <sub>SST</sub>	System Start-up Timer Period	—	SPI pins Wake-up from power down mode SDI(Master mode)/ SCS(Slave mode)	16	—	—	t <sub>HIRC</sub>
t <sub>RSTD</sub>	System Reset Delay Time	—	Power-on reset	25	50	100	ms

## Power-on Reset Characteristics

Ta=25°C

Symbol	Parameter	Test Conditions		Min.	Typ.	Max.	Unit
		V <sub>DD</sub>	Conditions				
V <sub>POR</sub>	V <sub>DD</sub> Start Voltage to Ensure Power-on Reset	—	—	—	—	100	mV
RR <sub>POR</sub>	V <sub>DD</sub> Rising Rate to Ensure Power-on Reset	—	—	0.035	—	—	V/ms
t <sub>POR</sub>	Minimum Time for V <sub>DD</sub> Stays at V <sub>POR</sub> to Ensure Power-on Reset	—	—	1	—	—	ms



## USB Interface

The USB interface, being USB 2.0 full-speed compatible, is a 4-wire series bus that allows communication between a host device and up to 127 max peripheral devices on the same bus. A token based protocol method is used by the host device for communication control. Other advantages of the USB bus include live plugging and unplugging and dynamic device configuration. As the complexity of USB data protocol does not permit comprehensive USB operation information to be provided in this datasheet, the reader should therefore consult other external information for a detailed USB understanding. The device includes a USB interface function allowing for the convenient design of USB peripheral products.

### Power Plane

There are two power planes for the device and they are the USB bus power input ( $V_{DD}$ ) and 3.3V regulator output ( $V_{330}$ ).

For the USB SIE  $V_{DD}$ , it will supply power for all circuits related to USB SIE and it is sourced from pin "VDD". Once the USB is removed from the USB and there is no power in the USB BUS, the USB SIE circuit is no longer operational.

### USB Interface Operation

To communicate with an external USB host, the internal USB module has the external pins known as D+ and D- along with the 3.3V regulator output pin V330. A Serial Interface Engine (SIE) decodes the incoming USB data stream and transfers it to the correct endpoint buffer memory known as the FIFO. The USB module has 4 endpoints, EP0 ~ EP3. The endpoint 0 supports the Control transfer while the endpoint 1 ~ endpoint 3 support the Interrupt or Bulk transfer. The HT42B533-x Bridge IC supports the USB Communication Device Class (CDC) for communications and configuration.

Endpoint	Transfer Type
0	Control
1	Interrupt
2	Bulk Out
3	Bulk In

#### USB Endpoint Transfer Type

If there is no signal on the USB bus for over 3ms, the USB device will enter the suspend mode. The device enters the suspend state to meet the requirements of the USB suspend current specification. When the resume signal is asserted by the USB host, the device will be woken up and leave the suspend mode.

As the USB device has a remote wake-up function, the USB device can wake up the USB host by sending a remote wake-up pulse. Once the USB host receives a remote wake-up signal from the USB device, the host will send a resume signal to device.

### USB VID and PID Configure

The device has configured the default Vender ID (VID:0x04D9), Product ID (PID:0xB533) and product description strings of "USB to SPI Bridge". The user can update Vender ID, Product ID, product description strings and remote wake-up setting using their application programs.

This device has been configured to the default USB configuration data as shown in the following table.

Parameter	Value (Hex)
USB Vendor ID (VID)	0x04D9
USB Product ID (PID)	0xB533
Remote wake-up	Default disable
Manufacturer Name	Holtek
Product Description	USB to SPI Bridge
Serial Number	0000

## SPI Interface

The HT42B533-x contains an SPI function. The SPI interface is often used to communicate with external peripheral devices such as microcontrollers, sensors, Flash devices, etc. Originally developed by Motorola, the four line SPI interface is a synchronous serial data interface that has a relatively simple communication protocol simplifying the programming requirements when communicating with external hardware devices.

### SPI Interface Operation

The communication is full duplex and operates as a slave/master type, where the devices can be either master or slave. Although the SPI interface specification can control multiple slave devices from a single master, the device provides only one  $\overline{SCS}$  pin. If the master needs to control multiple slave devices from a single master, the master can use a GPIO pin to select the slave devices. It is a four line interface with pin names SDI, SDO, SCK and  $\overline{SCS}$ . Pins SDI and SDO are the Serial Data Input and Serial Data Output lines. The SCK pin is the Serial Clock line and  $\overline{SCS}$  is the Slave Select line.

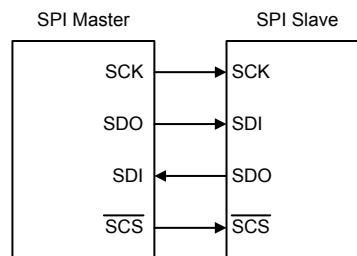
The SPI Serial Interface function includes the following features:

- Full-duplex synchronous data transfer
- Both Master and Slave mode
- Master mode serial clock frequency up to 8MHz
- LSB first or MSB first data transmission modes
- Rising or falling active clock edge
- 128-byte Deep FIFO Transmit Data Buffer
- 128-byte Deep FIFO Receive Data Buffer
- SDI pin (Master mode) or  $\overline{SCS}$  pin (Slave mode) wake-up function
- SPI pins power supply by the VDDIO pin

## SPI Communication

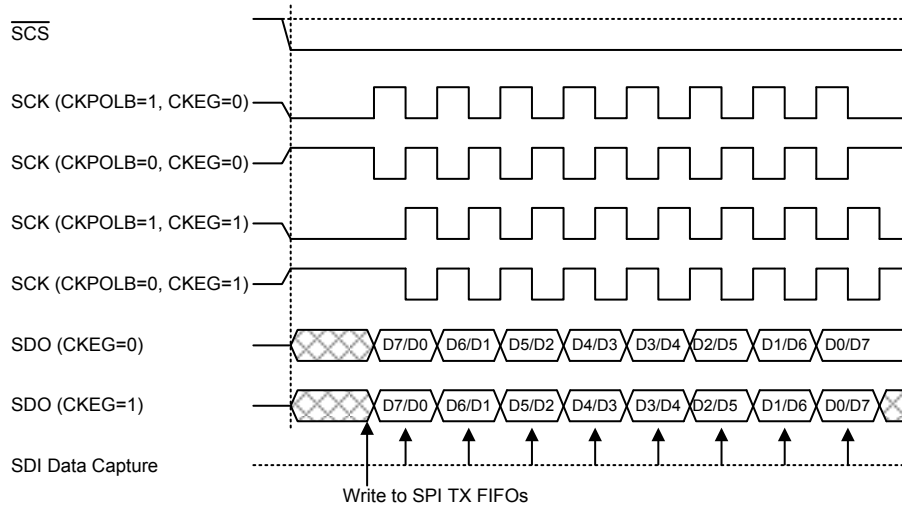
After the SPI interface is enabled using the application program, then in the Master mode, when data is written, transmission/reception will begin simultaneously. In the Slave mode, when the clock signal from the master has been received, any data in the SPI TX FIFOs will be transmitted by the SDO pin and any data on the SDI pin will be shifted into the SPI RX FIFOs.

The master should output a  $\overline{SCS}$  signal to enable the slave devices before a clock signal is provided. The slave data to be transferred should be well prepared at the appropriate moment relative to the SCK signal depending upon the configurations of the CKPOLB bit and CKEG bit. The accompanying timing diagram shows the relationship between the slave data and SCK signal for various configurations of the CKPOLB and CKEG bits. The SPI will continue to function if the SPI clock source is active.

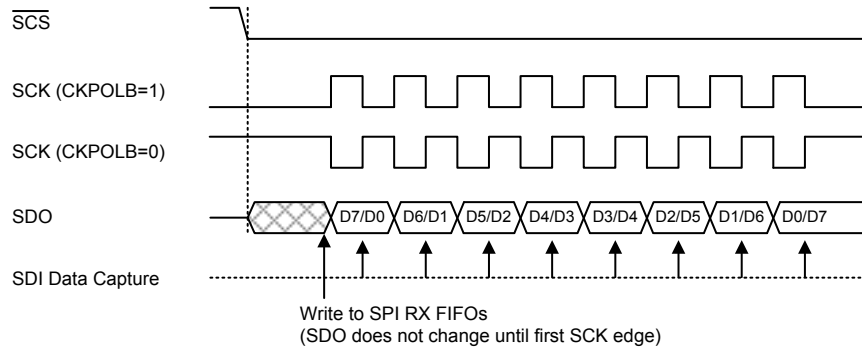


**SPI Master/Slave Connection**

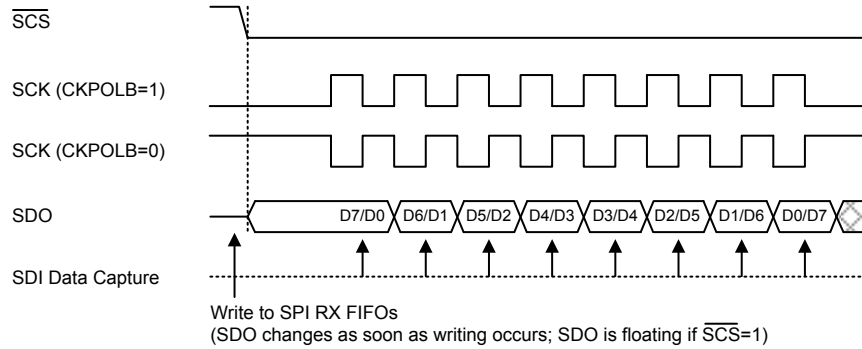
SPI Timing Setup Mode	CKPOLB	CKEG	Description
Mode 3	0	0	SCK is high base level when the clock is inactive and data is captured at SCK rising edge
Mode 2	0	1	SCK is high base level when the clock is inactive and data is captured at SCK falling edge
Mode 1	1	0	SCK is low base level when the clock is inactive and data is captured at SCK falling edge
Mode 0	1	1	SCK is low base level when the clock is inactive and data is captured at SCK rising edge



**SPI Master Mode Timing**



**SPI Slave Mode Timing – CKEG=0**



**SPI Slave Mode Timing – CKEG=1**

## SPI Clock

The SCK pin clock for the Master mode can be set using the Holtek Bridge API command to define the desired value, as shown below.

SPI Mode	SPI Clock	Value (Hex)
Master	8MHz	02
Master	6MHz	03
Master	4MHz	04
Master	3MHz	05
Master	1MHz	06
Master	750KHz	07
Master	250KHz	08
Slave	—	09

## SPI Power Down and Wake-up

If the USB host sends a suspend signal to the HT42B533-x USB device, it will enter the suspend mode. It is recommended to ensure that the SPI data transmission or reception has been finished before the device enters the suspend mode.

The SPI function contains the SDI pin (master mode) and  $\overline{\text{SCS}}$  pin (slave mode) wake-up functions. A falling edge on the SDI pin or  $\overline{\text{SCS}}$  pin will wake up the device from the suspend mode.

## Holtek Bridge DLL User Guideline

### Holtek USB Bridge Program

Holtek has provided the DLL to build the HT42B533-x/HT42B532-x Bridge IC application programs for USB to SPI or USB to I<sup>2</sup>C data communication. The API descriptions are described as below.

- **HTB\_API BOOL OpenDevice(int nCom);**  
Holtek Bridge operates in the format of Virtual COM Port. Define the COM port number using the parameter.
- **HTB\_API void CloseDevice();**  
Used to turn off the Bridge Device.
- **HTB\_API BOOL SetIICDataRate(int nDR);**  
Used to configure the I<sup>2</sup>C Data Rate (for USB to I<sup>2</sup>C Bridge). Refer to HoltekBridgeDLL.h for parameter definition.
- **HTB\_API BOOL SetSPIDataRate(int nDR);**  
Used to configure the SPI Data Rate (for USB to SPI Bridge). Refer to HoltekBridgeDLL.h for parameter definition.

- **HTB\_API BOOL SetSPIMode(int nMode, int nOrder, int nCSB);**
  - Refer to HoltekBridgeDLL.h for parameter definition.
  - Used to configure SPI mode 0/1/2/3, LSB/MSB, and whether to use CSB (for USB to SPI Bridge).
  - When in the SPI Slave Mode, CSB must be enabled.
- **HTB\_API BOOL SetIICMode(int nMode, int nAddr);**  
Used to configure I<sup>2</sup>C Master or Slave mode and address.
- **HTB\_API BOOL SetIIC\_ReceiverEnd(BOOL bAck);**
  - Used to configure when the Master Receiver ends transmission, I<sup>2</sup>C returns ACK or NACK.  
bAck: When the data length defined by SetDirection or BRRead has been received, I<sup>2</sup>C will return ACK or NACK.  
TRUE: ACK  
FALSE: NACK
  - After the OpenDevice action, this parameter's default status is NACK. The parameter should be configured after OpenDevice and before Read/Write actions.
- **HTB\_API BOOL SetIIC\_Restart(BOOL bRestart);**
  - Used to define the signal behavior when in the Master Mode.  
bRestart: When the data length defined by SetDirection or BRRead has been received or transmitted, I<sup>2</sup>C will generate a STOP signal or Restart signal.  
TRUE: Restart  
FALSE: STOP
  - After the OpenDevice action, this parameter's default status is STOP. The parameter should be configured before Read/Write actions.
- **HTB\_API BOOL BRRead(char \*p, DWORD nLen, DWORD&BytesRead, DWORD dwTimeOut);**
  - Read  
If the I<sup>2</sup>C Receiver returns NACK, the return value is FALSE;  
"BytesRead" indicates the actual byte count being read, if it is not enough, continue call Read function.  
"dwTimeOut" indicates the waiting time for read, unit: ms.
- **HTB\_API BOOL BRWrite(char \*p, DWORD nLen);**
  - Write  
If the I<sup>2</sup>C Receiver returns NACK, the return value is FALSE;



- **HTB\_API BOOL Finalize();**
  - To end the current transmission.
  - When in the SPI master mode and CSB is enabled, calling this function will pull CSB high.
  - When in the SPI slave mode, calling this function will reset the bridge to its Receiver default status.
- **HTB\_API BOOL ResetDevice();**  
Reset Bridge. This action will clear the contents already stored in the Bridge FIFO.
- **HTB\_API BOOL SlaveCSBFalling();**  
When in the SPI Slave Mode, this function is used to detect whether the master has re-enabled CSB. If yes, it means the master will re-transmit commands, in which case call Finalize or ResetDevice to reset the bridge to its Receiver default status.
- **HTB\_API BOOL SetDirection(BYTE ucDir, WORD ucLen);**
- **HTB\_API BOOL PureRead(char \*p, WORD ucLen, WORD &BytesRead, DWORD dwTimeOut);**
- **HTB\_API BOOL PureWrite(char \*p, WORD nLen);**
  - For both SPI and I<sup>2</sup>C, before switching between Read and Write, first to set Direction.
  - SetDirection(DIR\_READ,LEN) + PureRead = BRRead
  - SetDirection(DIR\_WRITE,LEN) + PureWrite = BRWrite
  - The SetDirection function defines the total length "LEN", PureRead or PureWrite supports any length but their total length can not larger than "LEN".
  - "dwTimeOut" indicates the waiting time for read, unit: ms.
- **HTB\_API BOOL SetGPIOWakeUp(BYTE);**
  - Used to configure GPIO0/GPIO1/GPIO2/GPIO3 with or without wake up function.
  - This parameter is transmitted in the format of OR. For example, to enable GPIO0 and GPIO2 wake up functions, the parameter is set as shown below:  
SetGPIOWakeup(GPIO0|GPIO2);
- **HTB\_API BOOL SetGPIOPullUp(BYTE);**
  - Used to configure GPIO0/GPIO1/GPIO2/GPIO3 with or without pull-high function.
  - This parameter is set in the same way as the previous one.
- **HTB\_API BOOL SetGPIOInput(BYTE);**
  - Used to configure GPIO0/GPIO1/GPIO2/GPIO3 input/output direction.
  - SetGPIOInput(GPIO1|GPIO2) indicates GPIO1/GPIO2 are input, GPIO0/GPIO3 are output.
- **HTB\_API BOOL SetGPIO(BYTE);**
  - Used to configure GPIO0/GPIO1/GPIO2/GPIO3 output value.
  - SetGPIO(GPIO1|GPIO2) indicates GPIO1/GPIO2 are high level, GPIO0/GPIO3 are low level.
- **HTB\_API BOOL GetGPIO(BYTE);**
  - Get GPIO0/GPIO1/GPIO2/GPIO3 input value.
  - GPIO defined in .h file.
  - gpio = GetGPIO();
  - If (gpio & 0xGPIO2) equal GPIO2, it indicates GPIO2 is high level.
- **HTB\_API BOOL SetPWM(BOOL bEnable, PWM \*pwm=NULL);**
  - Used to configure the desired PWM value, then the PWM signal will be generated on GPIO3.
  - Refer to the associated Bridge user manual for more details about the setup value.  
The PWM structure is described as below:

bPeriod	defines Period width, unit: clock
bClock	defines PWM clock frequency
bActiveLevel	defines active low or active high
bOutputMode	defines PWM signal output mode
bOpMode	defines PWM operating mode
wDuty	defines Duty width, unit: clock

**Example**
**Setup PWM**

```
PWM pwm;
pwm.bPeriod=PD_1024_CLK;
pwm.bClock=CLK_3M;
pwm.bActiveLevel=ACTIVE_LOW;
pwm.bOutputMode=PWM_OUTPUT;
pwm.bOpMode=PWM_OUTPUT;
pwm.wDuty=0x80;
BOOL bRet = SetPWM(TRUE, &pwm);
```

**Read device which needs a ACK response**

```
DWORD dw=0;
char szBuf[9]={0x10,0,0,0,0,0,0,0,0};
char szRead[16];
BOOL bRet=OpenDevice(3);
bRet=SetIIC_ReceiverEnd(TRUE);
bRet=SetIICDataRate(IIC_200K);
bRet=SetIICMode(IIC_MASTER,0x51);
bRet=BRWrite(szBuf,9); //Write 8 bytes of 0 to address 0x10
bRet=BRWrite(szBuf,1); //Write the read address 0x10
bRet=BRRead(szRead,16,dw,50); //data read back, response with ACK after Read ends
Finalize();
CloseDevice();
```

**Write to/Read from Holtek EEPROM HT24LC0x – using Restart signal**

```
DWORD dw=0;
char szBuf[9]={0x10,0,0,0,0,0,0,0,0};
char szRead[16];
BOOL bRet=OpenDevice(3);
bRet=SetIICDataRate(IIC_200K);
bRet=SetIICMode(IIC_MASTER,0x51);
bRet=BRWrite(szBuf,9); //Write 8 bytes of 0 to address 0x10
bRet=SetIIC_Restart(TRUE); //Set before BRWrite
bRet=BRWrite(szBuf,1); //Write the read address 0x10, generate Restart
//signal after Write ends
bRet=SetIIC_Restart(FALSE); //Set before BRRead
bRet=BRRead(szRead,16,dw,50); //data read back, response with NACK after Read
//ends and generate a STOP signal

Finalize();
CloseDevice();
```

**Write to/Read from SPI Flash**

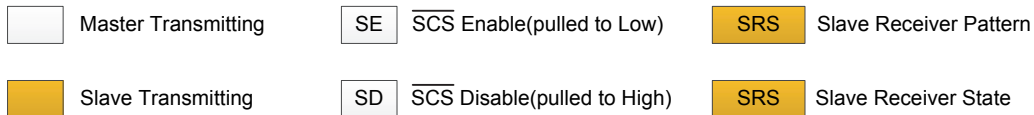
```
DWORD dw=0;
char szID[4]={0x90,0,0,0};
char szCmd[4]={0x03,0,0,0};
char szRead[16];
:
BOOL bRet=OpenDevice(3);
bRet=SetSPIDataRate(SPI_4M);
bRet=SetSPIMode(SPI_MODE0, SPI_MSB,SPI_EN_CSB);
bRet=BRWrite(szID,4); //read id
bRet=BRRead(szRead,2,dw,50);
Finalize();
bRet=BRWrite(szCmd,4);
bRet=BRRead(szRead,0x10,dw,50); //read 0x10 bytes from address 0x00
Finalize();
```

## SPI Slave Mode Setup Description

When the SPI is configured to operate in the slave mode, it is to operate as a Slave Receiver which means to read from the USB host (BULK OUT). The SPI Master terminal should follow the protocol shown in the table for normal communications.

Master Transmitter (MT) Request	Master Transmitter (MT) Command Code	Slave Receiver (SR) Response
Write data available request	0xA3	Buffer Length
Write data	0xA5	
Read data available request	0xA4	Buffer Length
Read data	0xA6	
MT $\overline{\text{SCS}}$ enable notification	0xA0 0x7F 0x5A 0xA8	
MT $\overline{\text{SCS}}$ disable notification	0xA0 0x7F 0x5A 0xA8	

### MT $\overline{\text{SCS}}$ Enable Notification



**MT : Master Transmitter**  
**SR : Slave Receiver**  
**ST : Slave Transmitter**

**Write data : data from SPI interface to the host (BULK IN)**

**Read data : data from host to SPI interface (BULK OUT)**

### Write Data Available Request



### Write Data



### Read Data Available Request



### Read Data



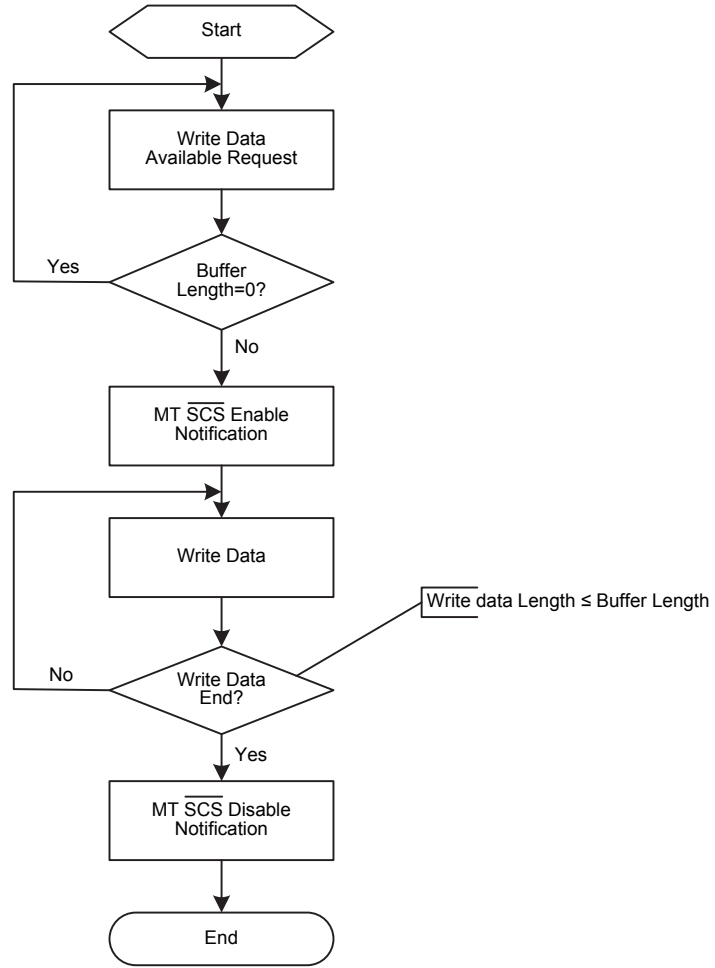
### MT $\overline{\text{SCS}}$ Enable Notification



Write Data Flow (Data from SPI Interface to Host: BULK IN)

MT : Master Transmitter  
SR : Slave Receiver  
ST : Slave Transmitter

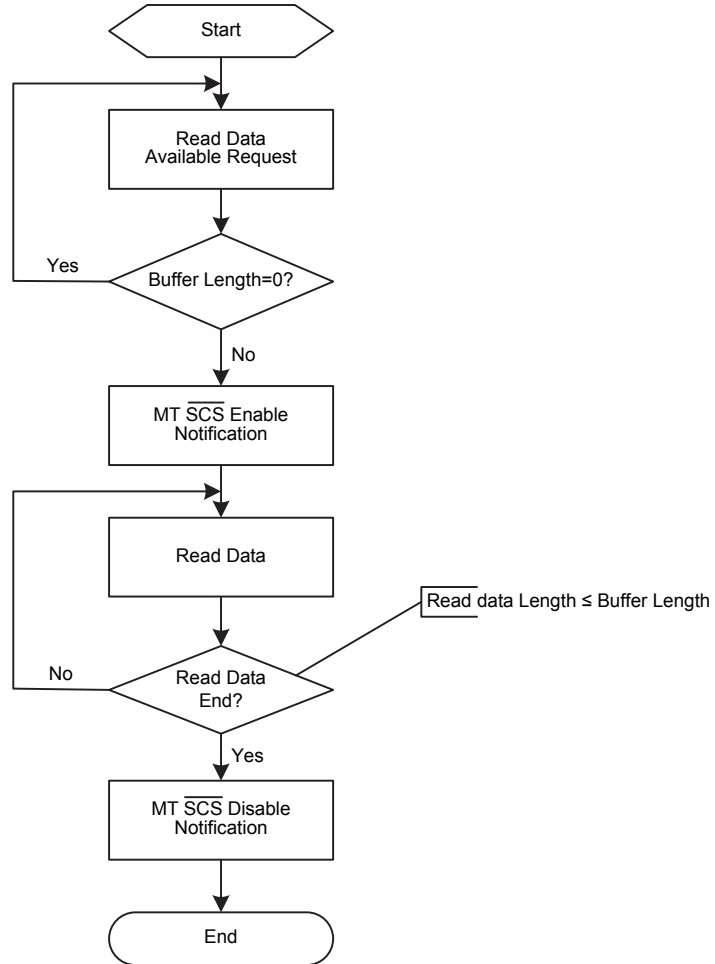
MT Write Data to SR Flow



Read Data Flow (Data from Host to SPI Interface: BULK OUT)

MT : Master Transmitter  
 SR : Slave Receiver  
 ST : Slave Transmitter

MT Read Data from SR Flow



**Master Transmitter  $\overline{\text{SCS}}$  Enable/Disable Notification**

The SPI master enables or disables the data transmission by pulling the  $\overline{\text{SCS}}$  line low or high respectively.

- MT  $\overline{\text{SCS}}$  Enable Notification  
 The master must send a request to notify the slave receiver before starting to read or write data.

- MT  $\overline{\text{SCS}}$  Disable Notification:  
 The master must send a request to notify the slave receiver before the data read or data write is completed.

Note that when switching from MT  $\overline{\text{SCS}}$  Enable Notification to MT  $\overline{\text{SCS}}$  Disable Notification, the delay time is at least 2ms.

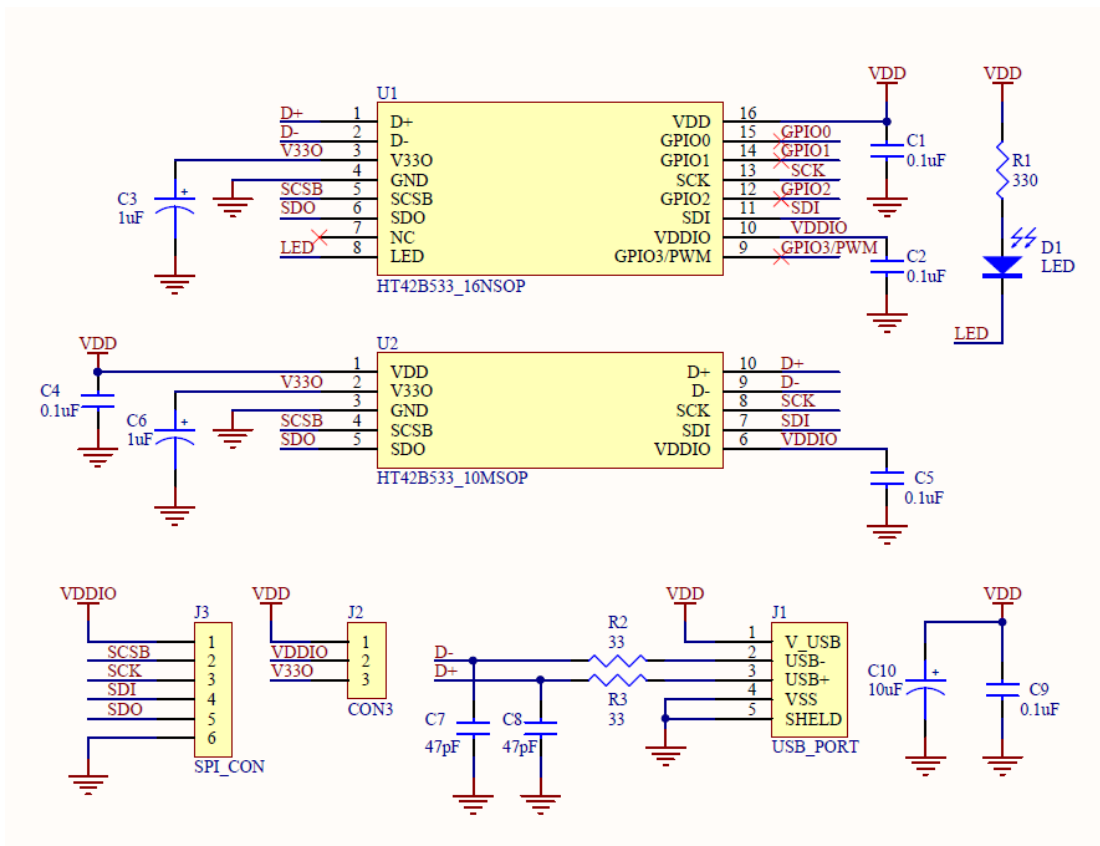
### Product Description Update

To implement product description update first open the Holtek HT42B534-x Bridge IC demo AP, if the USB had been plugged into the host PC, it will show that the USB has been opened successfully on a new window. The user can use the application program to update the customer VID, PID, Manufacturer Name, Product Description, Serial Number and 256 bytes of user memory. It can configure the SPI bridge device hardware flow control and remote wake-up functions. In addition to the definable descriptions, a user memory area which is not used to store parameters is also provided for users to record data.

The configuration descriptor length table is shown as below.

Parameter	Length
USB Vendor ID(VID)	1 Word (hex)
USB Product ID(PID)	1 Word (hex)
Manufacturer Name	Support max. 16 characters
Product Description	Support max. 32 characters
Serial Number	Support max. 4 words

### Application Circuits

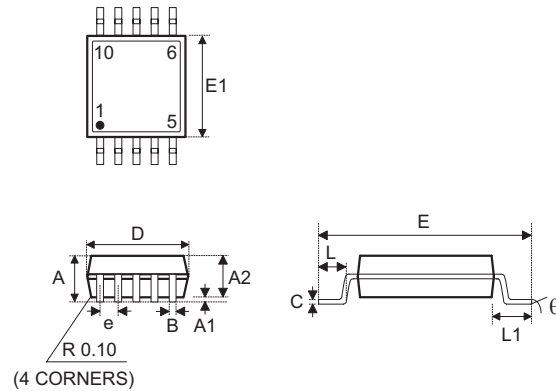


## Package Information

Note that the package information provided here is for consultation purposes only. As this information may be updated at regular intervals users are reminded to consult the [Holtek website](#) for the latest version of the [Package/ Carton Information](#).

Additional supplementary information with regard to packaging is listed below. Click on the relevant section to be transferred to the relevant website page.

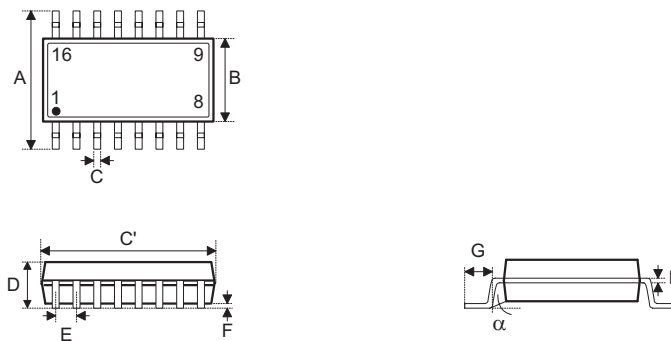
- Package Information (include Outline Dimensions, Product Tape and Reel Specifications)
- The Operation Instruction of Packing Materials
- Carton information

**10-pin MSOP Outline Dimensions**


Symbol	Dimensions in inch		
	Min.	Nom.	Max.
A	—	—	0.043
A1	0.000	—	0.006
A2	0.030	0.033	0.037
b	0.007	—	0.013
c	0.003	—	0.009
D	—	0.118 BSC	—
E	—	0.193 BSC	—
E1	—	0.118 BSC	—
e	—	0.020 BSC	—
L	0.016	0.024	0.031
L1	—	0.037 BSC	—
y	—	0.004	—
$\alpha$	0°	—	8°

Symbol	Dimensions in mm		
	Min.	Nom.	Max.
A	—	—	1.10
A1	0.00	—	0.15
A2	0.75	0.85	0.95
b	0.17	—	0.33
c	0.08	—	0.23
D	—	3 BSC	—
E	—	4.9 BSC	—
E1	—	3 BSC	—
e	—	0.5 BSC	—
L	0.40	0.60	0.80
L1	—	0.95 BSC	—
y	—	0.1	—
$\alpha$	0°	—	8°



**16-pin NSOP (150mil) Outline Dimensions**


Symbol	Dimensions in inch		
	Min.	Nom.	Max.
A	—	0.236 BSC	—
B	—	0.154 BSC	—
C	0.012	—	0.020
C'	—	0.390 BSC	—
D	—	—	0.069
E	—	0.050 BSC	—
F	0.004	—	0.010
G	0.016	—	0.050
H	0.004	—	0.010
$\alpha$	0°	—	8°

Symbol	Dimensions in mm		
	Min.	Nom.	Max.
A	—	6 BSC	—
B	—	3.9 BSC	—
C	0.31	—	0.51
C'	—	9.9 BSC	—
D	—	—	1.75
E	—	1.27 BSC	—
F	0.10	—	0.25
G	0.40	—	1.27
H	0.10	—	0.25
$\alpha$	0°	—	8°

Copyright© 2019 by HOLTEK SEMICONDUCTOR INC.

The information appearing in this Data Sheet is believed to be accurate at the time of publication. However, Holtek assumes no responsibility arising from the use of the specifications described. The applications mentioned herein are used solely for the purpose of illustration and Holtek makes no warranty or representation that such applications will be suitable without further modification, nor recommends the use of its products for application that may present a risk to human life due to malfunction or otherwise. Holtek's products are not authorized for use as critical components in life support devices or systems. Holtek reserves the right to alter its products without prior notification. For the most up-to-date information, please visit our web site at <http://www.holtek.com>.