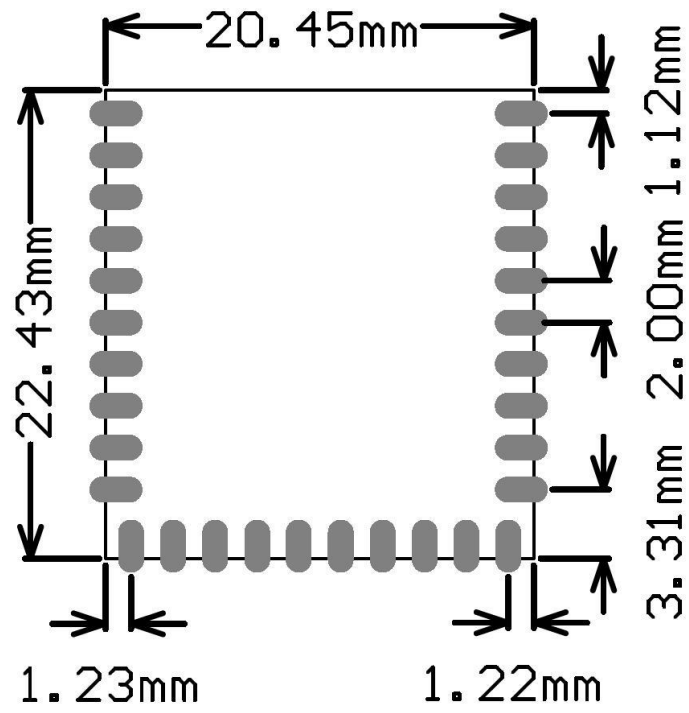


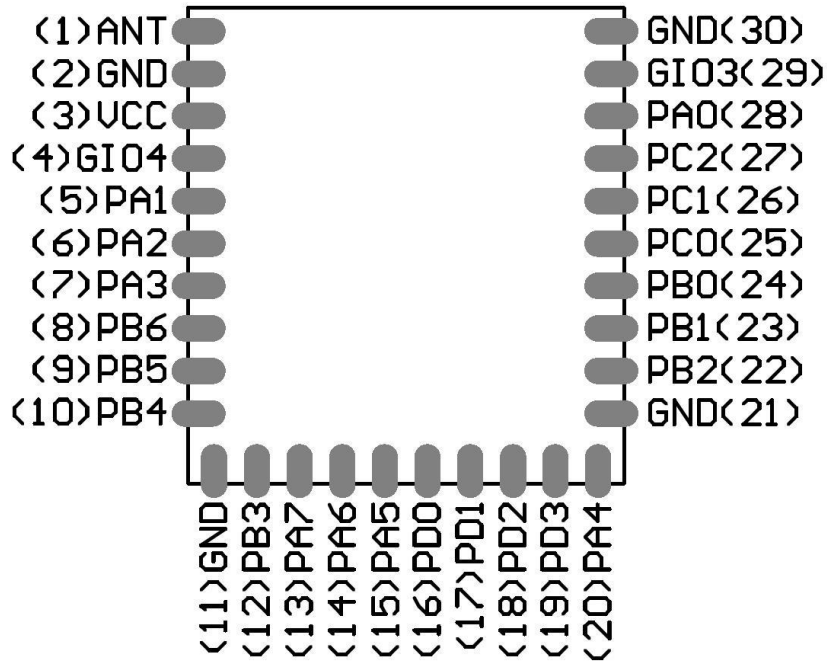
Dimension



Photo



Pinout



Num	Name	Type	Description
1	ANT	AO	RF power amplifier output
2	GND	PWR	Ground
3	VCC	PWR	Power supply
4	GIO4	DI/O	RF Multi-function I/O 4
5	PA1	DI/O	General purpose I/O
6	PA2	DI/O	General purpose I/O
7	PA3	DI/O	General purpose I/O
8	PB6	DI/O	General purpose I/O
9	PB5	DI/O	General purpose I/O
10	PB4	DI/O	General purpose I/O
11	GND	PWR	Ground
12	PB3	DI/O	General purpose I/O
13	PA7	DI/O	General purpose I/O
14	PA6	DI/O	General purpose I/O
15	PA1	DI/O	General purpose I/O
16	PD0	DI/O	General purpose I/O
17	PD1	DI/O	General purpose I/O
18	PD2	DI/O	General purpose I/O
19	PD3	DI/O	General purpose I/O
20	PA4	DI/O	General purpose I/O
21	GND	PWR	Ground
22	PB2	DI/O	General purpose I/O
23	PB1	DI/O	General purpose I/O
24	PB0	DI/O	General purpose I/O
25	PC0	DI/O	General purpose I/O
26	PC1	DI/O	General purpose I/O
27	PC2	DI/O	General purpose I/O
28	PA0	DI/O	General purpose I/O
29	GIO3	DI/O	RF Multi-function I/O 3
30	GND	PWR	Ground

(PWR=Power AO=Analog Output DI/O=Digital Input/Output)