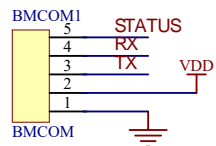
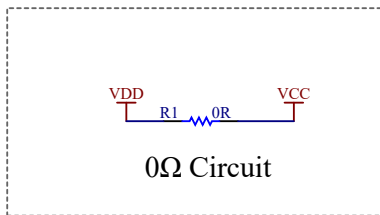
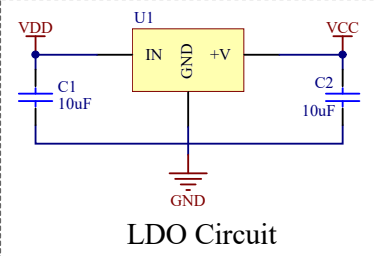


BMCOM

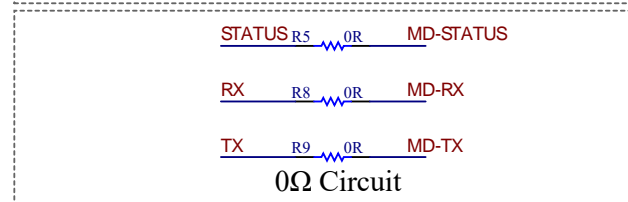
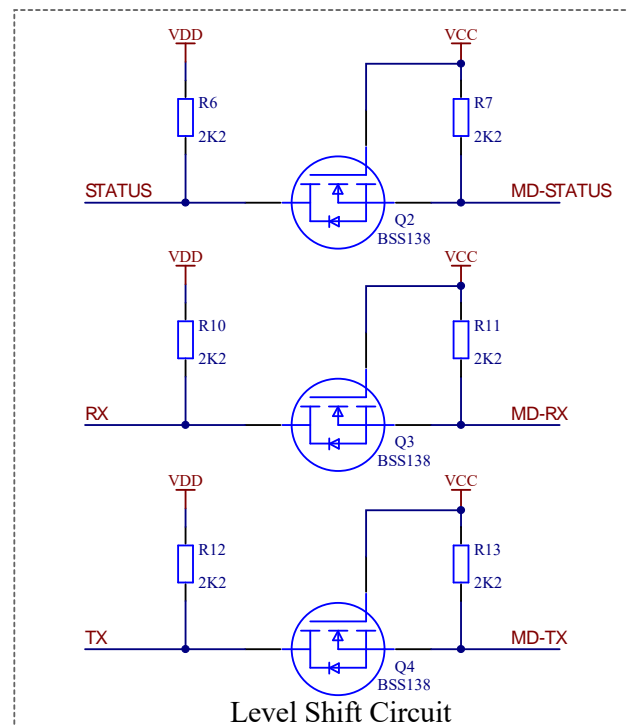


Power Circuit



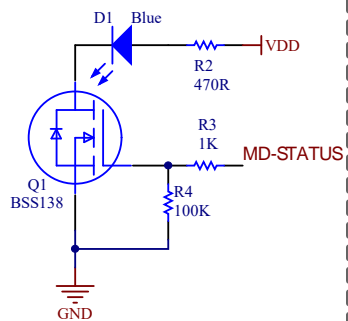
LDO Circuit	0 Circuit
NC	V

Level Shift

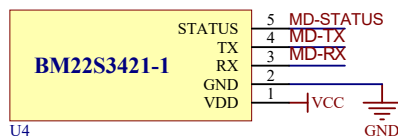


0Ω Circuit	Level Shift Circuit
V	NC

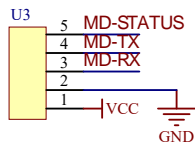
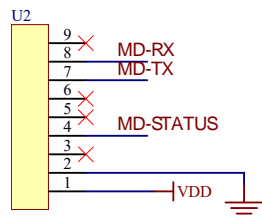
LED Indicator



MEMS Alcohol Digital Sensor



Reserved Interface(NC)



Title: BMA34M421
 Design by: BESTMOUDLES TEAM
 Data: 2024/1/16
 Rev: V1.22

