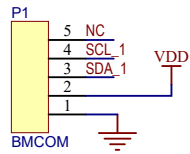
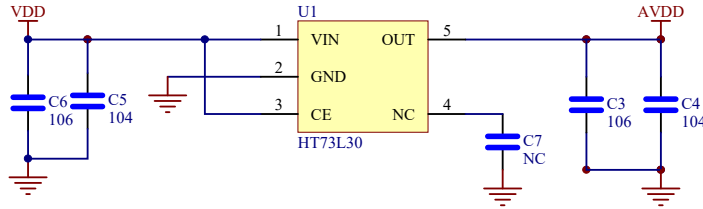


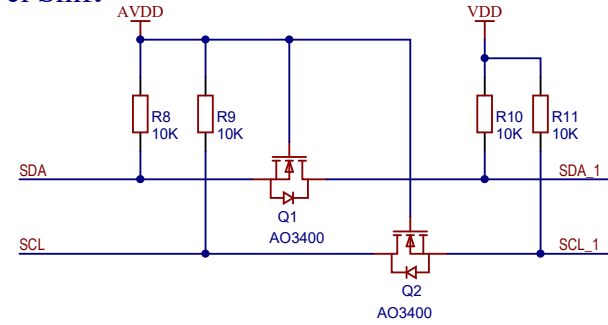
### BMCOM



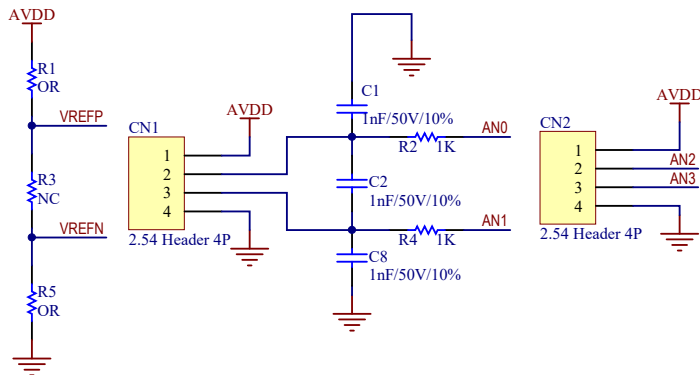
### Power Circuit



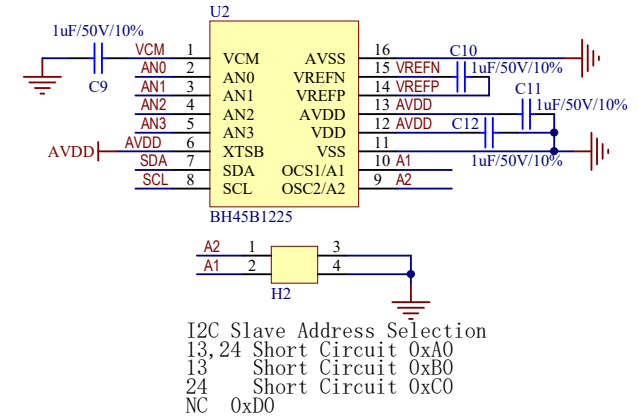
### Level Shift



### AD Sampling Circuit



### MCU



Title:	BMH23M001
Design by:	BESTMODULES TEAM
Data:	2023/4/20
Rev:	V1.0

