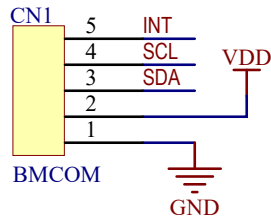
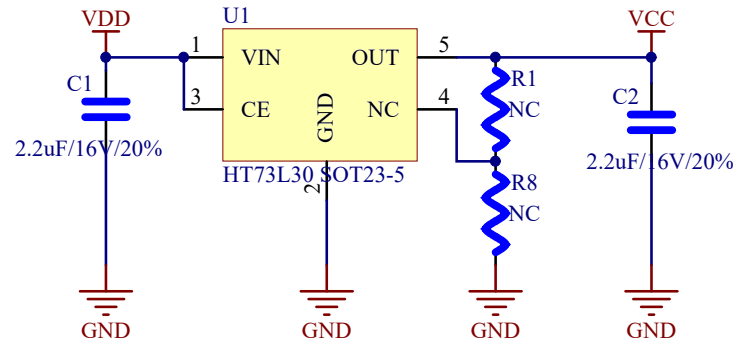


BMCOM

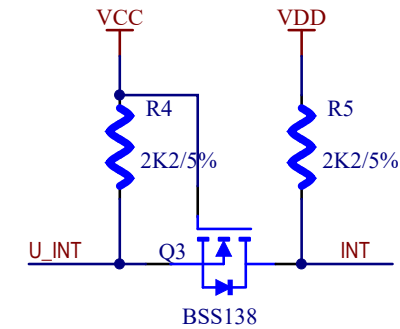
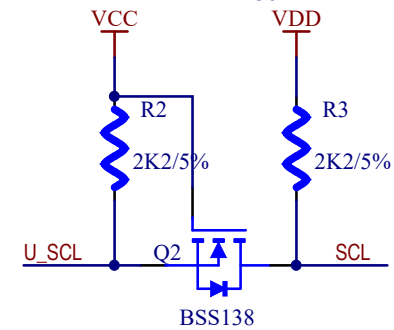
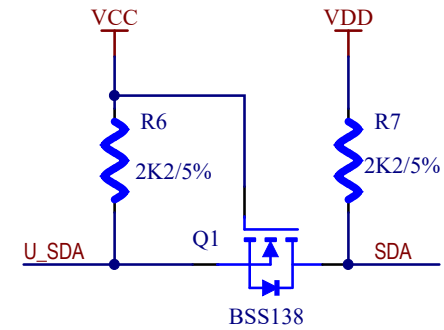


Power Circuit

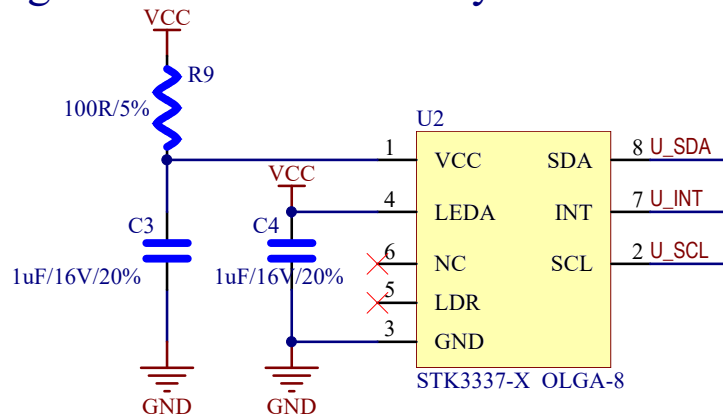


When LDO MIC5225 is used, $VCC = 1.24 * (1 + R1/R8)$

Level Shift



Ambient Light Sensor and Proximity Sensor



Title: BMS33M332

Design by: BESTMOUDLES TEAM

Data: 2023/4/21

Rev: V1.0



Sheet: 1 / 1