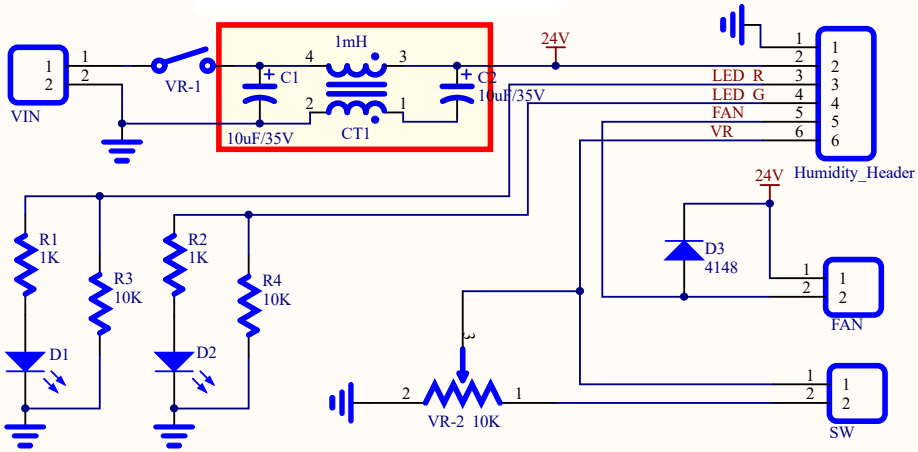


預留元器件，NC可跳綫



Title		
Size A4	Number	Revision
Date: 2022/3/31	Sheet of	
File: E:\Desktop\...\Holtek VR_V1.0_20200716	Drawn By:	