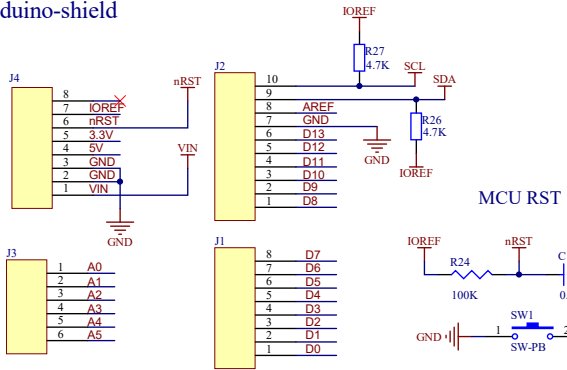
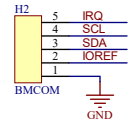


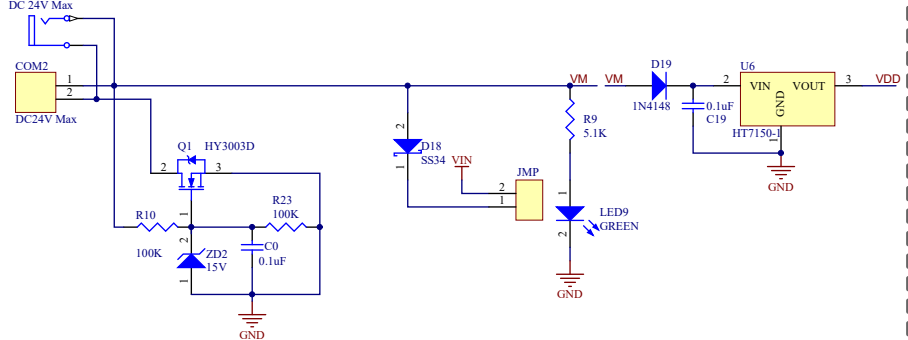
### BMduino-shield



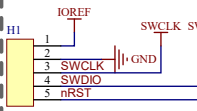
### BMCOM



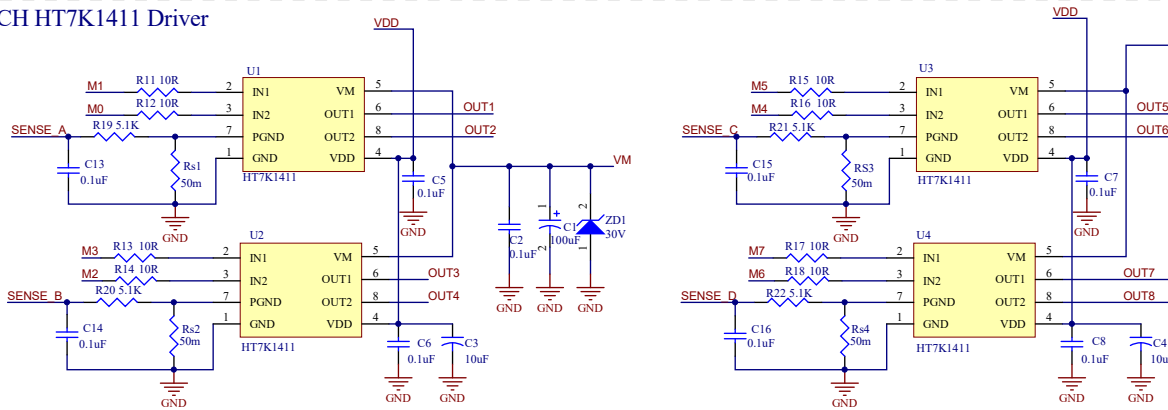
### Power Circuit



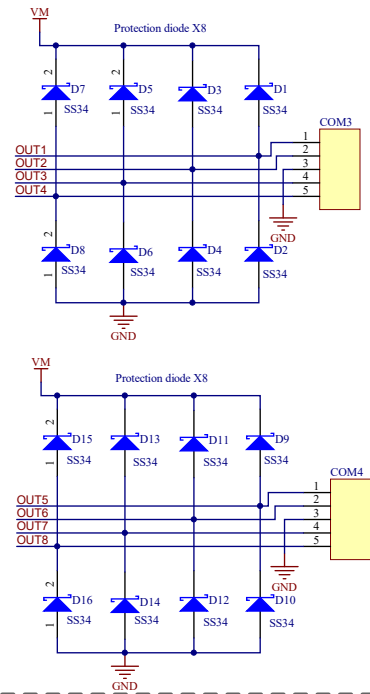
### Programming Port



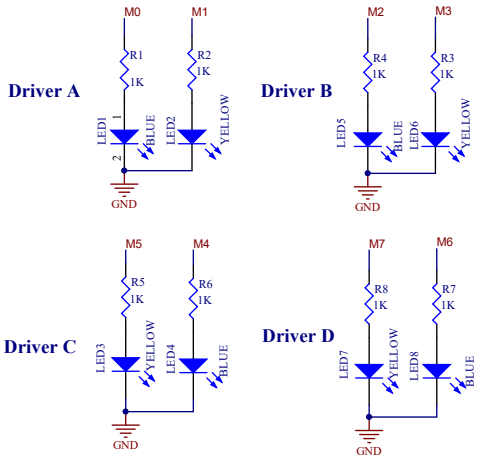
### 4CH HT7K1411 Driver



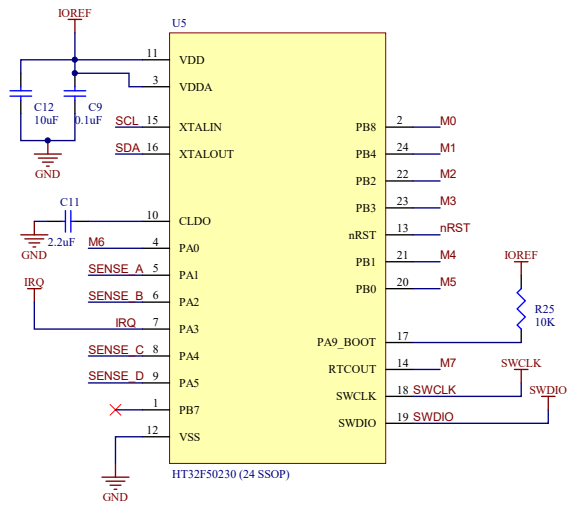
### Driver Protection And Output



### LED Indicator



### MCU



Title:	BMP73T104
Design by:	BESTMOUDLES TEAM
Data:	2024/6/20
Rev:	V1.0

