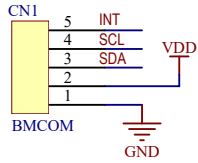
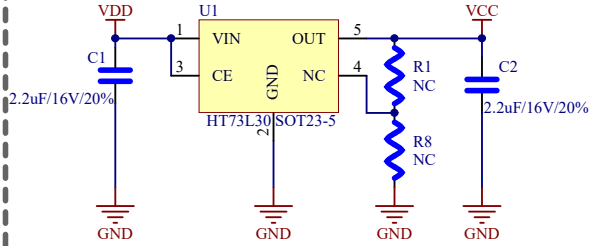


### BMCOM



### Power Circuit

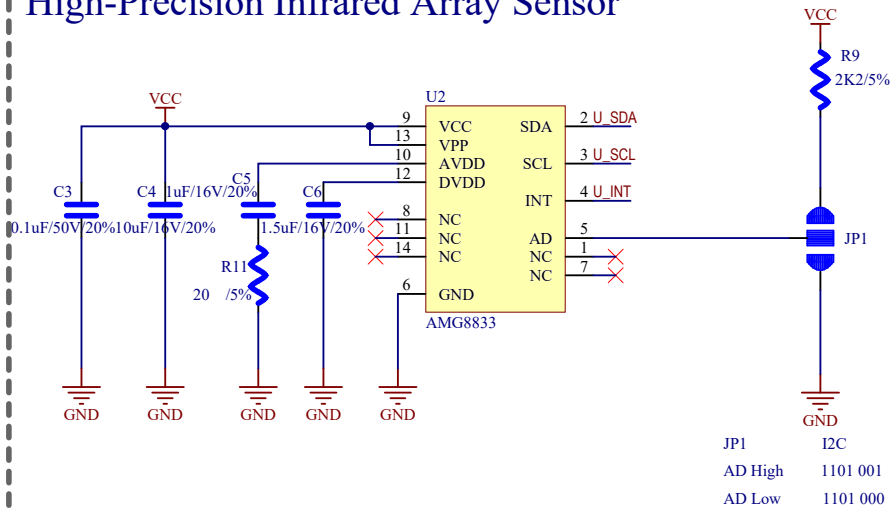


When LDO MIC5225 is used,  $VCC = 1.24 * (1 + R1/R8)$

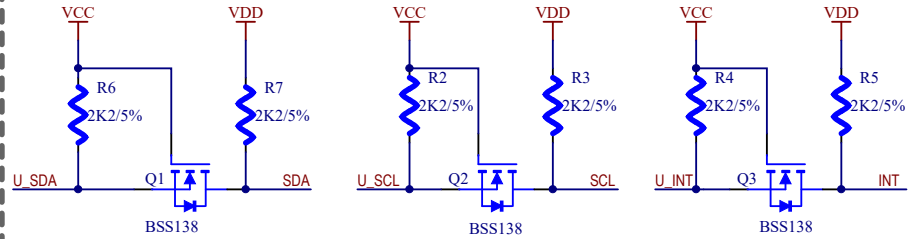
### LED Indicator



### High-Precision Infrared Array Sensor



### Level Shift



Title:	BMS26M833
Design by:	BESTMOUDLES TEAM
Data:	2023/5/12
Rev:	V1.0

