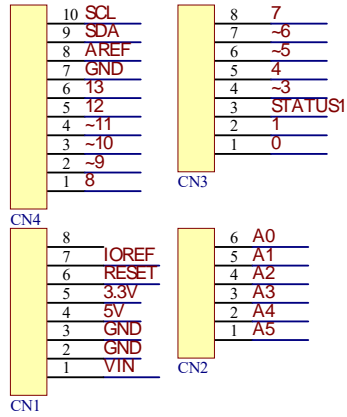
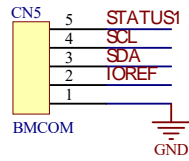


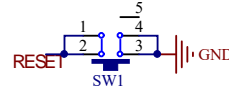
BMduino-Shield



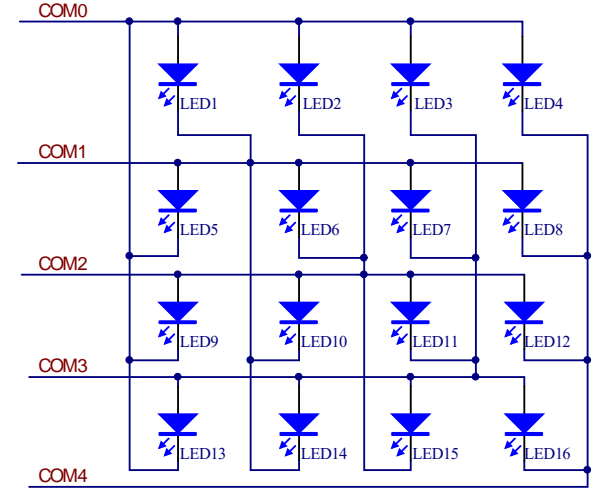
BMCOM



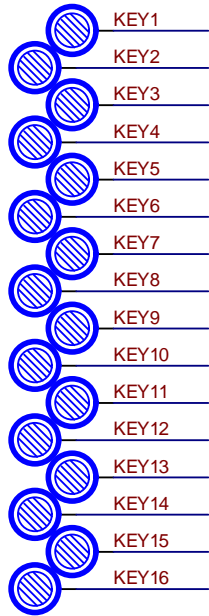
Reset Circuit



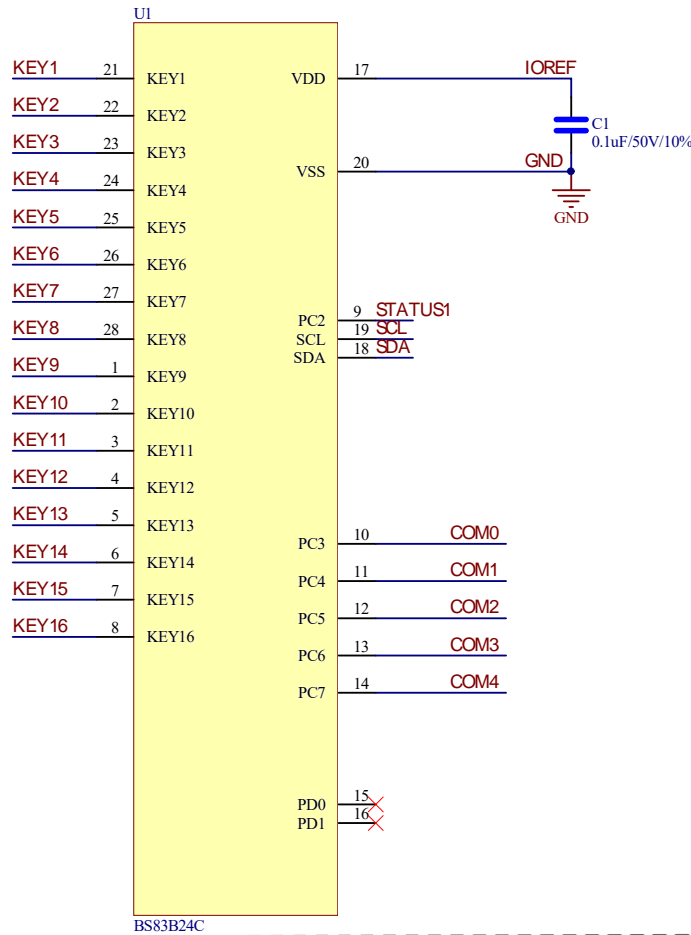
LED Indicator




Touch Buttons



MCU



BS83B24C

| | | |
|------------|--------------------|---|
| Title: | BMK52T016 |  |
| Design by: | BEST MOUDLES CORP. | |
| Data: | 2025/4/27 | |
| Rev: | V1.0 | |
| Sheet: | | 1 / 1 |