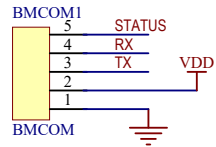
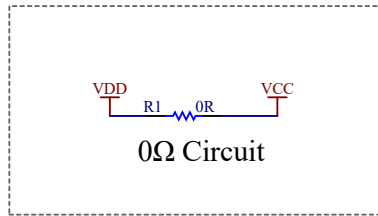
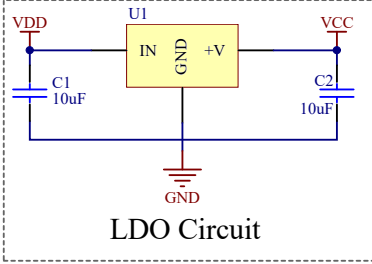


BMCOM

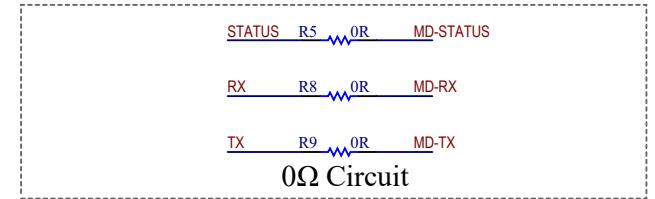
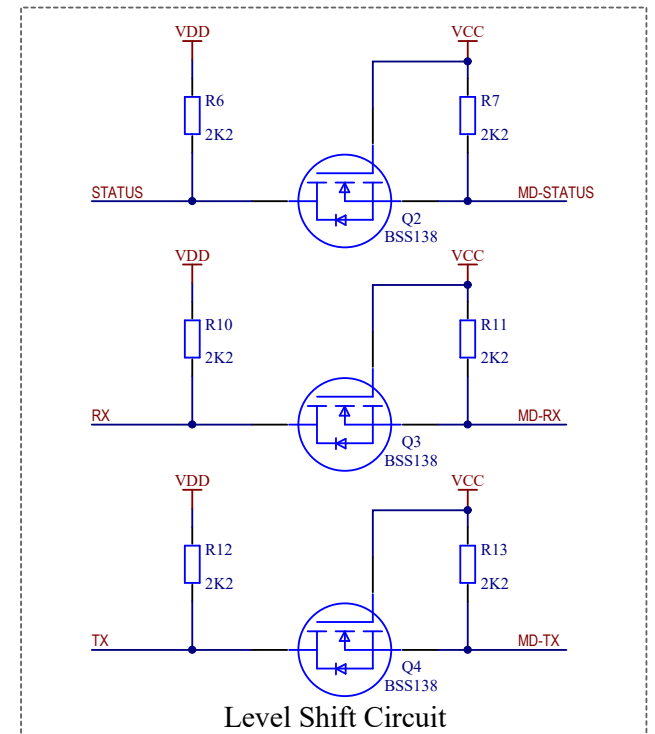


Power Circuit



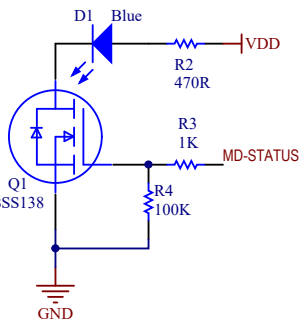
LDO Circuit	0Ω Circuit
NC	V

Level Shift

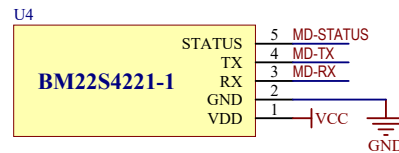


0Ω Circuit	Level Shift Circuit
V	NC

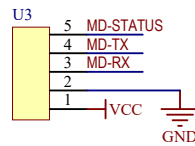
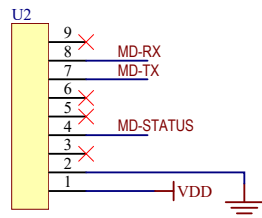
LED Indicator



PIR Detector Digital Module



Reserved Interface(NC)



Title: BMA46M422
 Design by: BESTMOUDLES TEAM
 Data: 2023/8/15
 Rev: V1.2

