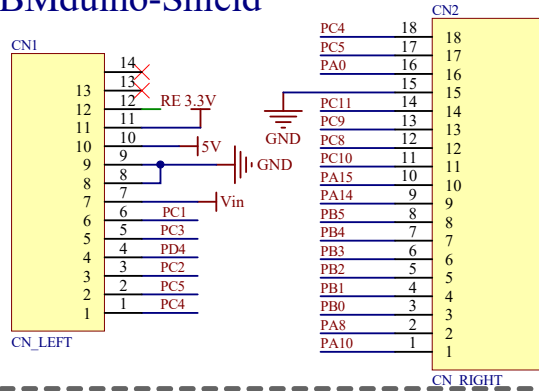
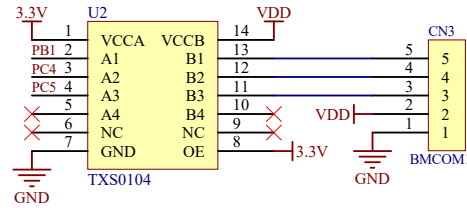


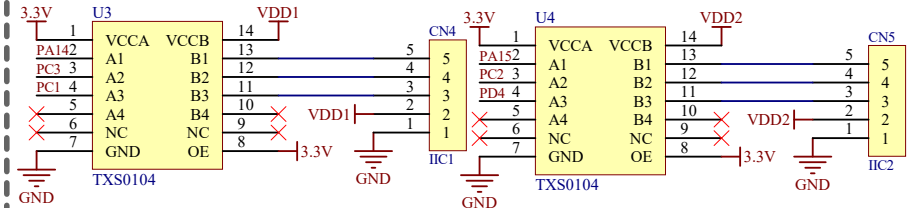
BMduino-Shield



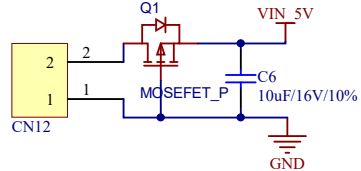
BMCOM



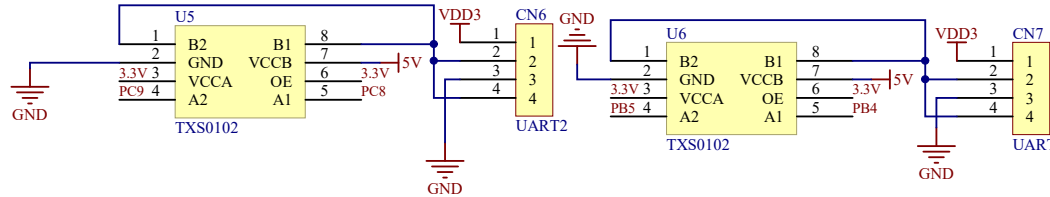
IIC PORT



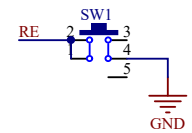
5V Power INPUT



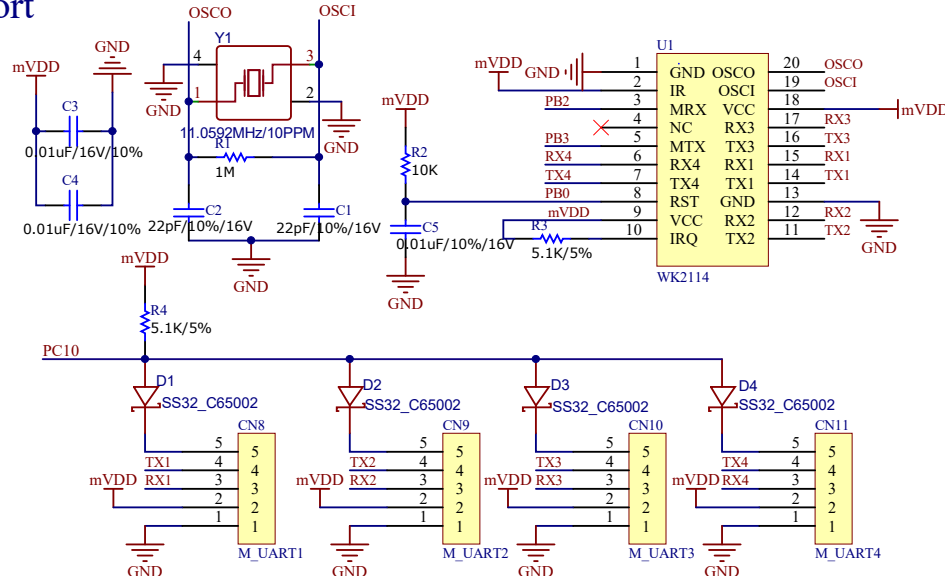
Single Line UART Port



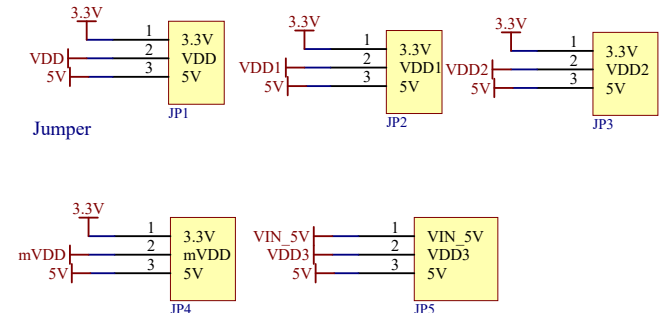
Reset Key



UART Port



Jumper



Title:	BMB22T101
Design by:	BESTMODULES TEAM
Data:	2024/3/15
Rev:	V1.1

