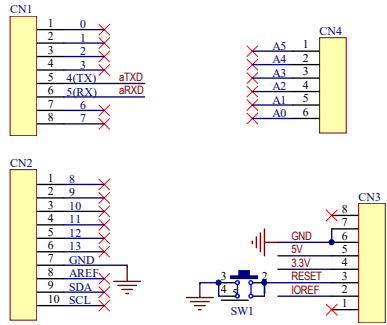
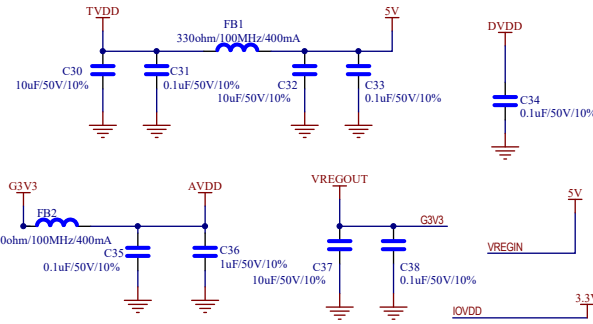


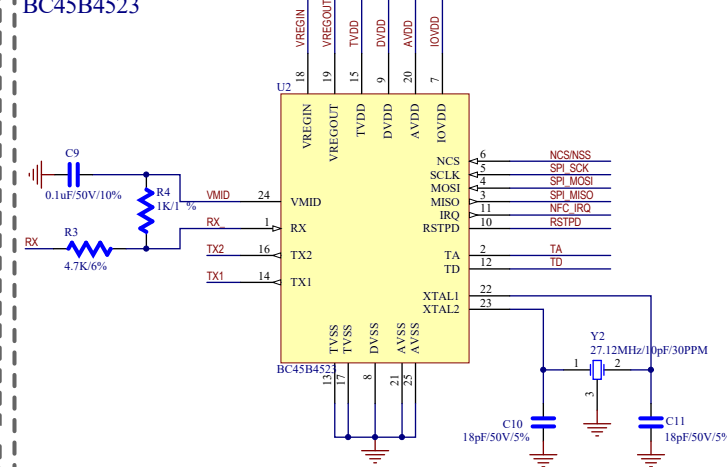
### BMduino-Shield



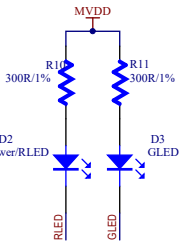
### Power Circuit



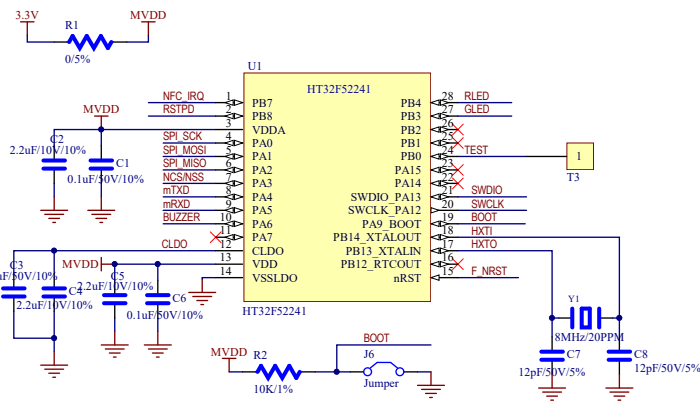
### BC45B4523



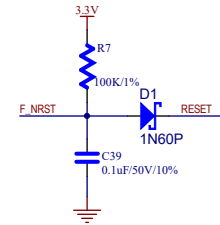
### LED Indicator



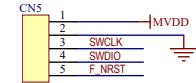
### MCU



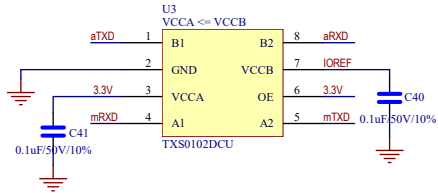
### Reset Circuit



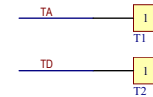
### Programming Port



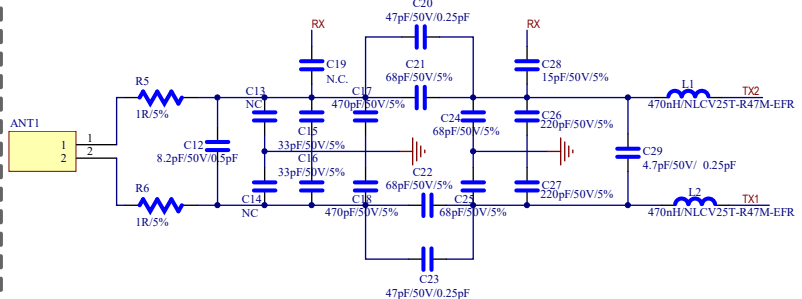
### Level Shift



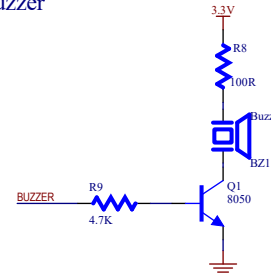
### Test Point



### Antenna Matching Circuit



### Buzzer



Title:	BMC11T001
Design by:	BESTMOUDLES TEAM
Data:	2023/5/4
Rev:	V1,0

