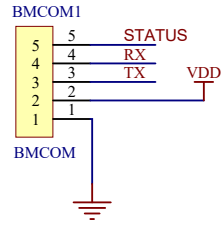
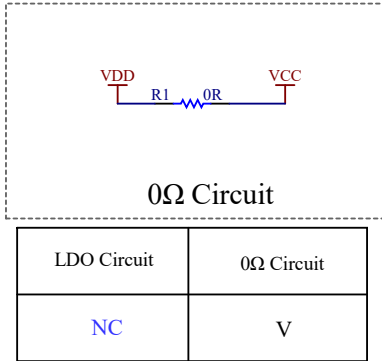
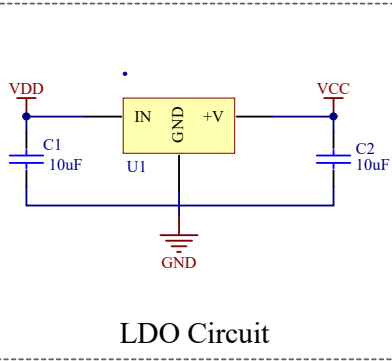


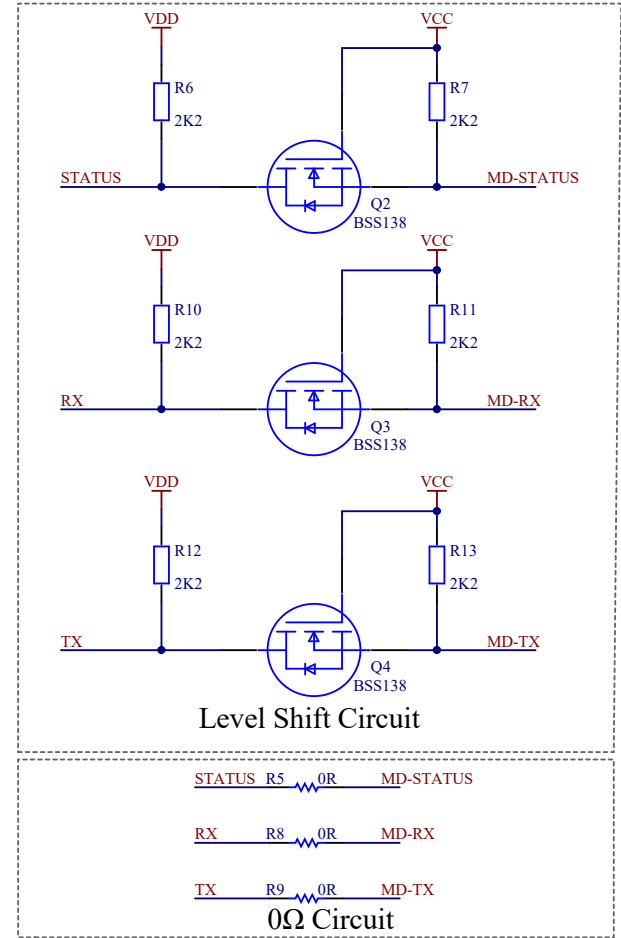
BMCOM



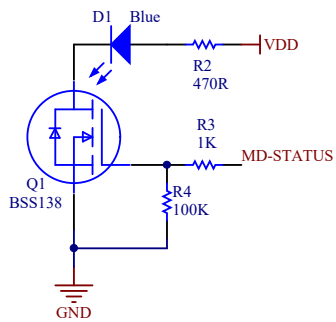
Power Circuit



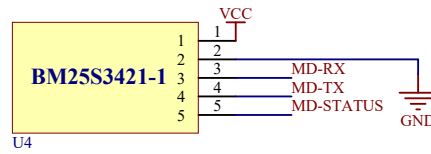
Level Shift



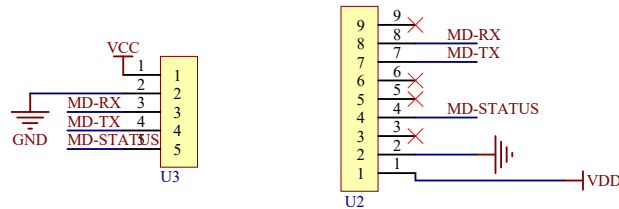
LED Indicator



MEMS VOC Digital Sensor



Reserved Interface(NC)



Title: BME53M421
 Design by: BESTMODULES TEAM
 Data: 2024/1/3
 Rev: V1.22

